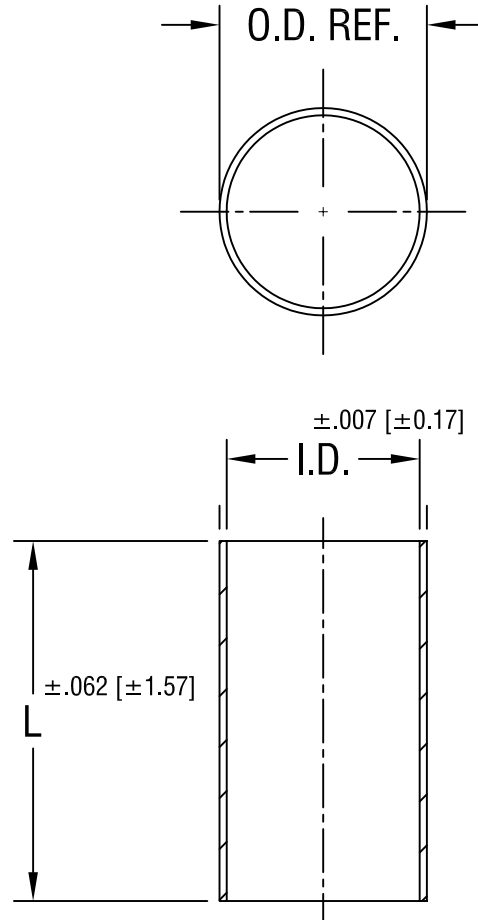


THIS DOCUMENT IS THE PROPERTY OF  
KEYSTONE ELECTRONICS CORP. AND  
SHALL NOT BE REPRODUCED, DISTRIBUTED  
OR USED AS A BASIS FOR MANUFACTURE  
WITHOUT PRIOR WRITTEN PERMISSION  
FROM KEYSTONE ELECTRONICS CORP.



PART NO.	'L' DIM.	I.D.	O.D.
4023	2.750 [69.85]	.670 [17.02]	.720 [18.29]
4024	4.687 [119.05]		
4025	6.625 [168.28]		
4026	2.500 [63.50]	1.050 [26.67]	1.100 [27.94]
4027	4.437 [112.70]		
4028	6.375 [161.93]		
4029	3.250 [82.55]	1.345 [34.16]	1.395 [35.43]
4030	5.562 [141.28]		
4031	7.750 [196.85]		

**KEYSTONE ELECTRONICS CORP.**

ASTORIA, N.Y. 11105-2017

PART NAME

BATTERY CELL TUBE

MATERIAL

WOUND PAPER, BLACK

FINISH

-

DRN BY

BOONE

DATE

9.3.82

APPD

LN

SCALE

-

8.30.02 CHANGE AS PER ECN 02-064

A

TOLERANCES

INCH [MM]

DECIMAL  $\pm .005$  [ $\pm 0.15$ ]

ANGULAR  $\pm 1^\circ$

UNLESS OTHERWISE SPECIFIED

CODE

C

DWG NO.

4023-4031

DATE

DESCRIPTION

REV.

# Mouser Electronics

Authorized Distributor

Click to View Pricing, Inventory, Delivery & Lifecycle Information:

[Keystone Electronics:](#)

[4031](#) [4030](#)