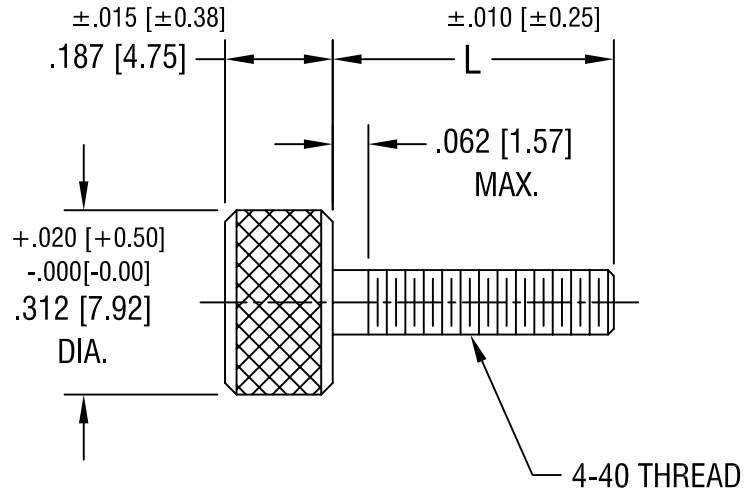
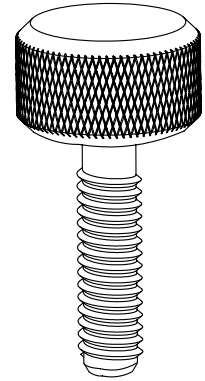


THIS DOCUMENT IS THE PROPERTY OF
KEYSTONE ELECTRONICS CORP. AND
SHALL NOT BE REPRODUCED, DISTRIBUTED
OR USED AS A BASIS FOR MANUFACTURE
WITHOUT PRIOR WRITTEN PERMISSION
FROM KEYSTONE ELECTRONICS CORP.



PART NO.	'L' DIM.
2400	.312 [7.92]
2401	.375 [9.52]
2402	.437 [11.10]
2403	.500 [12.70]

KEYSTONE ELECTRONICS CORP.			
ASTORIA, N.Y. 11105-2017			
PART NAME		THUMB SCREW	
MATERIAL		STAINLESS STEEL	
FINISH	DRN BY	BOONE	DATE
-	APP'D	LN	12.4.95
			SCALE
			3X
TOLERANCES	INCH	[MM]	CODE
DECIMAL	± .005	[± 0.15]	DWG NO.
ANGULAR	± 1°		
UNLESS OTHERWISE SPECIFIED			C/M
			2400-2403

7.16.08	CHANGE AS PER ECN 08-127	A
DATE	DESCRIPTION	REV.

Mouser Electronics

Authorized Distributor

Click to View Pricing, Inventory, Delivery & Lifecycle Information:

[Keystone Electronics:](#)

[2402](#)