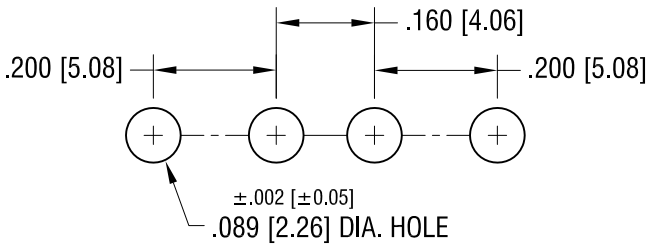
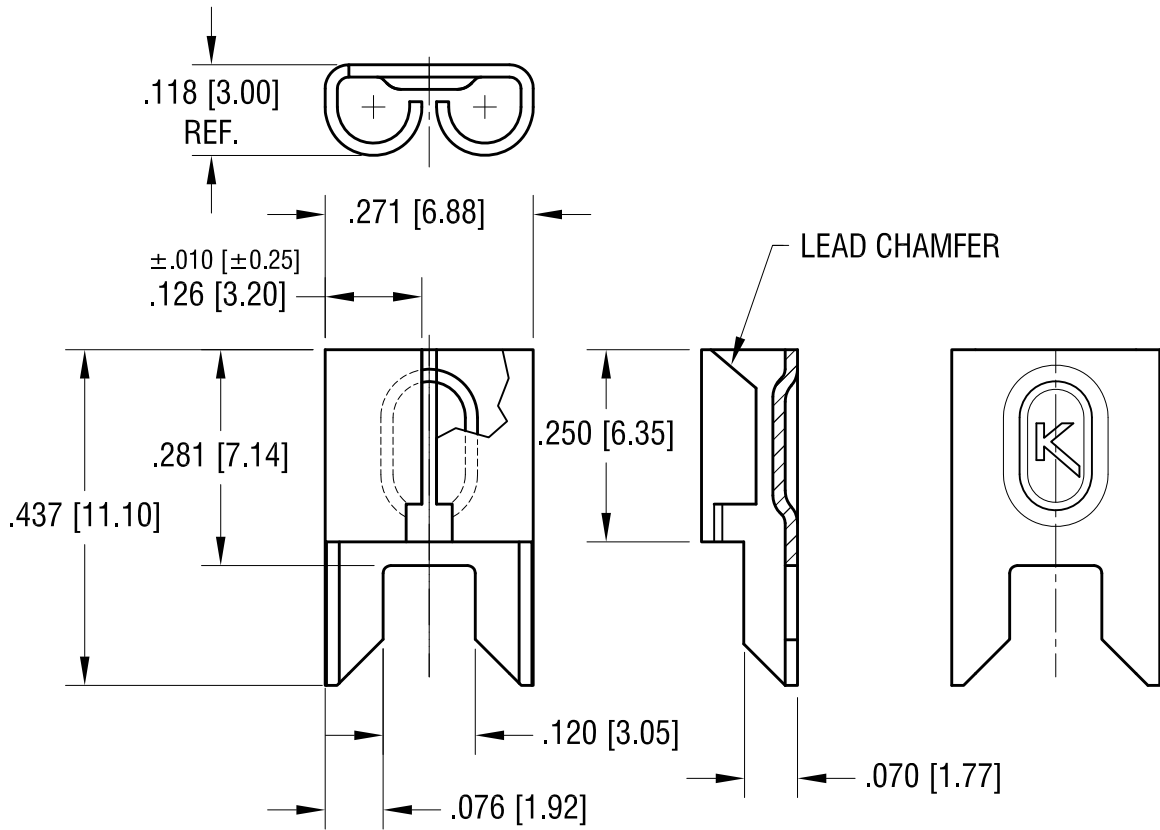


MOUNTING LAYOUT FOR TWO CLIPS



THIS DOCUMENT IS THE PROPERTY OF KEYSTONE ELECTRONICS CORP. AND SHALL NOT BE REPRODUCED, DISTRIBUTED OR USED AS A BASIS FOR MANUFACTURE WITHOUT PRIOR WRITTEN PERMISSION FROM KEYSTONE ELECTRONICS CORP.

ACTUAL SIZE



2.24.20	ECN 20-015, NEW DESIGN WITH EMBOSS	H
9.05.12	CHANGE AS PER ECN 12-128	G
6.26.09	CHANGE AS PER ECN 09-087	F
9.23.04	CHANGE AS PER ECN 04-128	E
DATE	DESCRIPTION	REV.

<b>KEYSTONE ELECTRONICS CORP.</b>			
www.keyelco.com • NEW HYDE PARK, NY 11040 • Tel (516) 328-7500			
PART NAME		.205 x .020 PC QUICK-FIT TERMINAL	
MATERIAL		.016 TH'K BRASS	
FINISH	TIN NICKEL PLATE	DRN BY	BOONE
		DATE	7.21.91
		APP'D	RH
		SCALE	4X
TOLERANCES	INCH [MM]	CODE	DWG NO.
DECIMAL	± .005 [± 0.13]	C	<b>3525</b>
ANGULAR	± 1°		
UNLESS OTHERWISE SPECIFIED			

# Mouser Electronics

Authorized Distributor

Click to View Pricing, Inventory, Delivery & Lifecycle Information:

[Keystone Electronics:](#)

[3525](#)