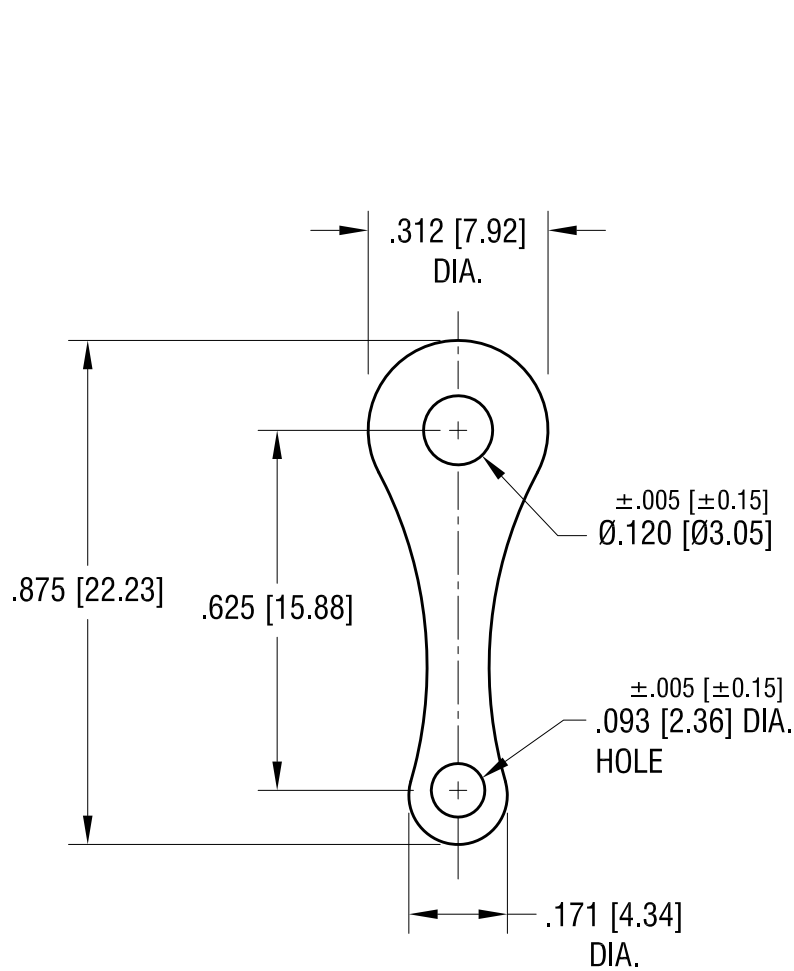


THIS DOCUMENT IS THE PROPERTY OF  
KEYSTONE ELECTRONICS CORP. AND  
SHALL NOT BE REPRODUCED, DISTRIBUTED  
OR USED AS A BASIS FOR MANUFACTURE  
WITHOUT PRIOR WRITTEN PERMISSION  
FROM KEYSTONE ELECTRONICS CORP.



**KEYSTONE ELECTRONICS CORP.**

www.keyelco.com • ASTORIA, N.Y. 11105-2017 • Tel (718) 956-8900

PART NAME

SOLDER TERMINAL LUG

MATERIAL

.020 [0.50] TH'K BRASS

FINISH

MATTE TIN PLATE

DRN BY

BOONE

DATE

10.17.01

APP'D

LN

SCALE

3X

TOLERANCES

INCH [MM]  
DECIMAL ± .015 [± 0.38]

CODE

DWG NO.

C

7331

ANGULAR ± 1°  
UNLESS OTHERWISE SPECIFIED

10.13.09 CHANGE AS PER ECN 09-145

B

6.25.09 CHANGE AS PER ECN 09-081

A

DATE

DESCRIPTION

REV.

# Mouser Electronics

Authorized Distributor

Click to View Pricing, Inventory, Delivery & Lifecycle Information:

[Keystone Electronics:](#)

[7331](#)