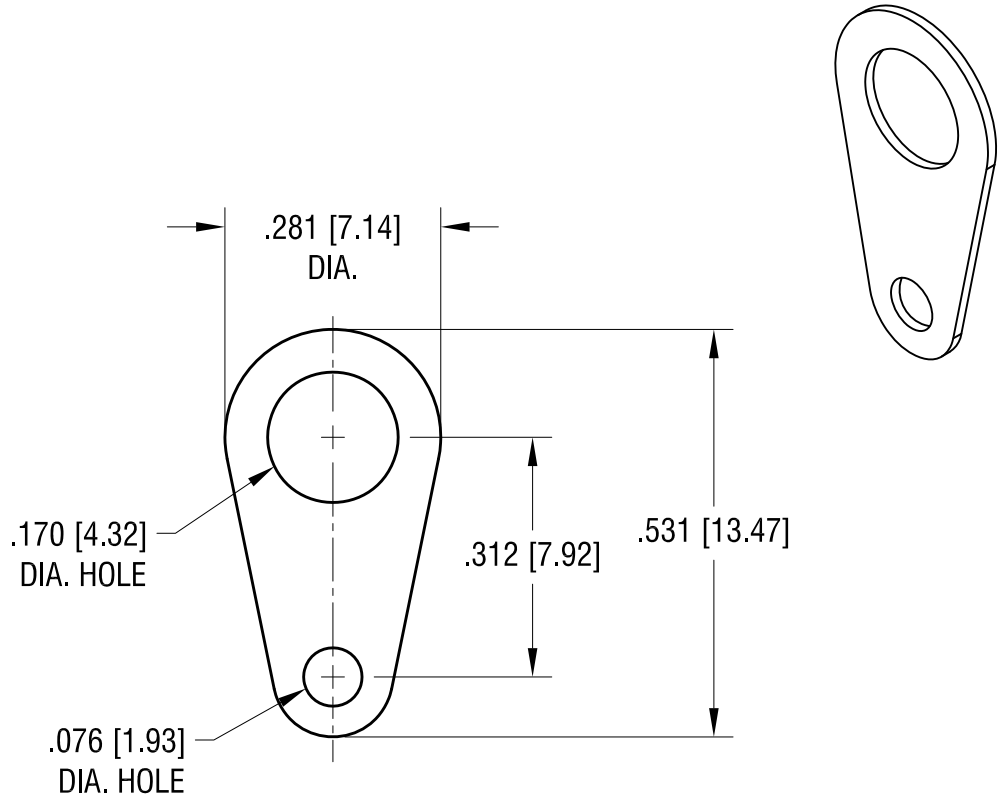


THIS DOCUMENT IS THE PROPERTY OF
KEYSTONE ELECTRONICS CORP. AND
SHALL NOT BE REPRODUCED, DISTRIBUTED
OR USED AS A BASIS FOR MANUFACTURE
WITHOUT PRIOR WRITTEN PERMISSION
FROM KEYSTONE ELECTRONICS CORP.



| | | |
|----------|--------------------------|------|
| 6.25.09 | CHANGE AS PER ECN 09-083 | C |
| 7.27.04 | CHANGE AS PER ECN 04-052 | B |
| 10.20.03 | CHANGE AS PER ECN 03-076 | A |
| DATE | DESCRIPTION | REV. |

| | | | |
|---|-----------------|------------------------|-----------------|
| KEYSTONE ELECTRONICS CORP. | | | |
| www.keyelco.com • ASTORIA, N.Y. 11105-2017 • Tel (718) 956-8900 | | | |
| PART NAME | | SOLDER TERMINAL LUG | |
| MATERIAL | | .015 [0.38] TH'K BRASS | |
| FINISH | MATTE TIN PLATE | DRN BY BOONE | DATE 3.15.84 |
| | | APP'D LN | SCALE 4X |
| TOLERANCES | INCH [MM] | CODE | DWG NO. |
| DECIMAL | ± .005 [± 0.15] | C | 7330 |
| ANGULAR | ± 1° | | |
| UNLESS OTHERWISE SPECIFIED | | | |

Mouser Electronics

Authorized Distributor

Click to View Pricing, Inventory, Delivery & Lifecycle Information:

[Keystone Electronics:](#)

[7330](#)