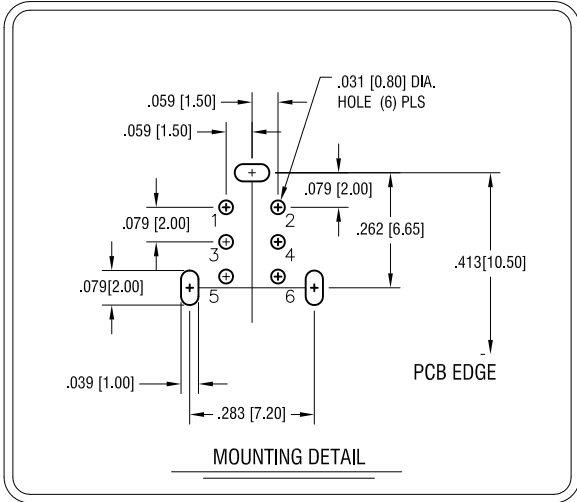
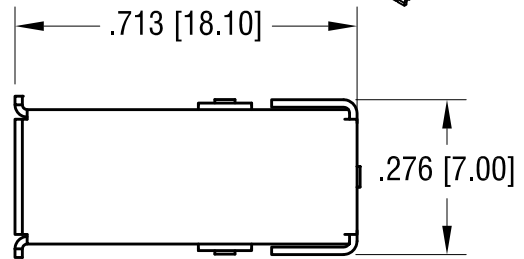
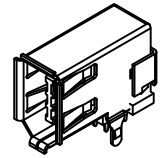
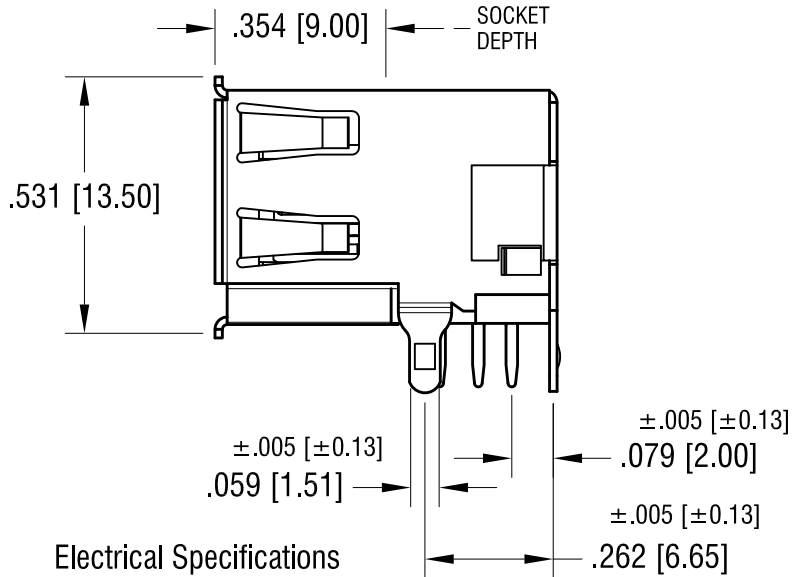
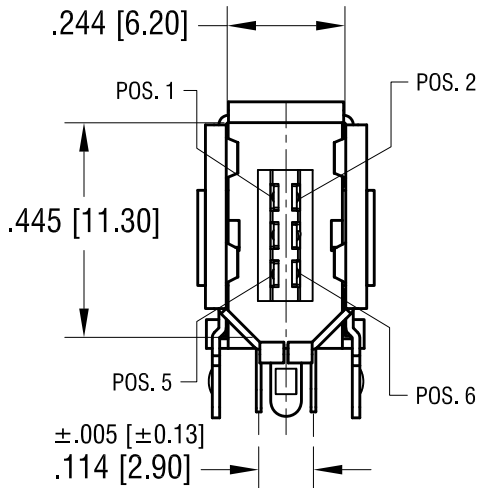


THIS DOCUMENT IS THE PROPERTY OF KEYSTONE ELECTRONICS CORP. AND SHALL NOT BE REPRODUCED, DISTRIBUTED OR USED AS A BASIS FOR MANUFACTURE WITHOUT PRIOR WRITTEN PERMISSION FROM KEYSTONE ELECTRONICS CORP.

ACTUAL SIZE



MOUNTING DETAIL



Notes:

Shell: Mat'l: Phosphor Bronze,
 Finish: Tin Plate over Nickel Plate.
 Insulator: Mat'l: Thermoplastic UL 94V-0
 Contacts: Mat'l: Phosphor Bronze
 Finish: Gold Plate over Nickel Plate on
 Contact Area. Tin Plate over
 Nickel Plate on Solder Tail.

Electrical Specifications
 Rated Voltage: 30V AC (rms)
 Contact Current Rating: 1A Max.
 Contact Resistance: 30 milliohms Max.
 Insulation Resistance: 1000 Megohms Min.
 Dielectric Withstanding: 750V AC
 Operating Temperature: 32° [0°C] to 104° [40°C]

KEYSTONE ELECTRONICS CORP.

www.keyelco.com • NEW HYDE PARK, NY 11040 • Tel (516) 328-7500

PART NAME
IEEE 1394 THRU-HOLE UP-RIGHT SOCKET

MATERIAL
AS NOTED

FINISH AS NOTED	DRN BY BOONE	DATE 7.1.99
	APP'D LN	SCALE 2.5X

TOLERANCES INCH [MM]	CODE	DWG NO.
DECIMAL $\pm .010$ [± 0.25]	C	930
ANGULAR $\pm 1^\circ$		
UNLESS OTHERWISE SPECIFIED		

6.7.05	CHANGE AS PER ECN 05-031	A
DATE	DESCRIPTION	REV.

Mouser Electronics

Authorized Distributor

Click to View Pricing, Inventory, Delivery & Lifecycle Information:

[Keystone Electronics:](#)

[930](#)