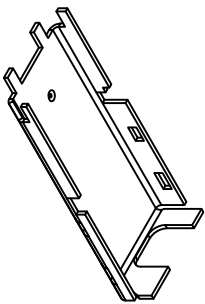
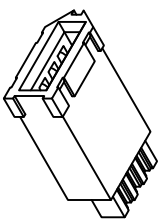


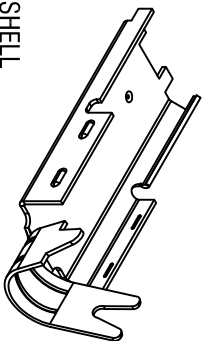
DATE	DESCRIPTION	REV.
8.9.99	CHANGE AS PER ECN 99-054	A
6.7.05	CHANGE AS PER ECN 05-030	B
12.08.10	CHANGE AS PER ECN 10-085	C
3.11.16	CHANGE AS PER ECN 16-038	D



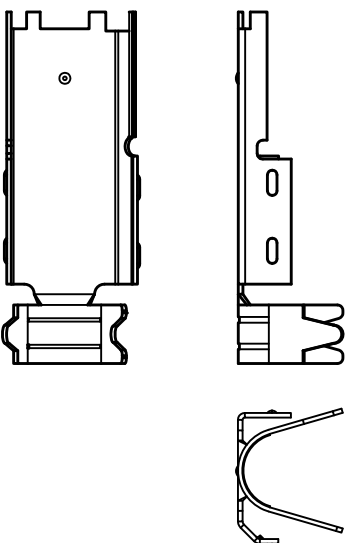
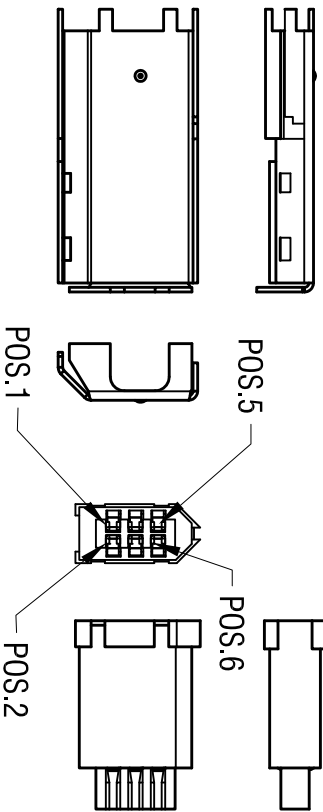
FRONT SHELL



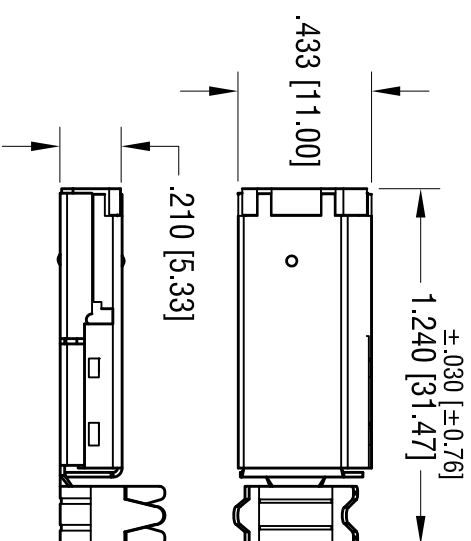
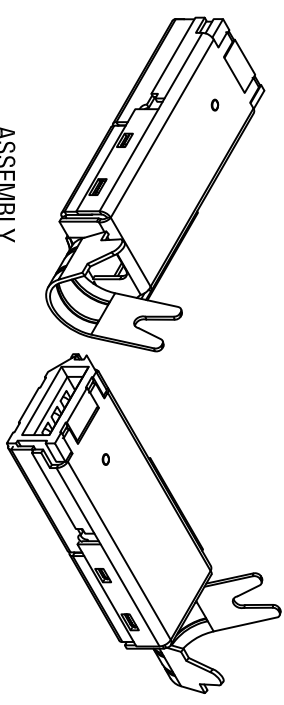
INNER HOUSING / TERMINALS



REAR SHELL



ASSEMBLY



Notes:

Shell: Mat'l: Steel,

Finish: Nickel Plate over Copper.

Insulator: Mat'l: Thermoplastic UL 94V-0

Contacts: Mat'l: Bronze

Finish: Gold Plate over Nickel Plate
on Contact Area.

Tin Plate over Nickel Plate on Solder Tail.

THIS DOCUMENT IS THE PROPERTY OF KEYSTONE ELECTRONICS CORP. AND SHALL NOT BE REPRODUCED, DISTRIBUTED OR USED AS A BASIS FOR MANUFACTURE WITHOUT PRIOR WRITTEN PERMISSION FROM KEYSTONE ELECTRONICS CORP.

KEYSTONE ELECTRONICS CORP.			
www.keystone.com • ASTORIA, N.Y. 11105-2017 • Tel (718) 956-8900			
PART NAME			
IEEE 1394 FIREWIRE PLUG			
MATERIAL			
AS NOTED			
FINISH			
AS NOTED			
TOLERANCES		INCH	[MM]
DECIMAL	± .010	[± 0.25]	
ANGULAR	± 1°		
UNLESS OTHERWISE SPECIFIED			
DRN BY	BOONE	DATE	5.22.98
APP'D	LN	SCALE	1.5X
CODE	C	DWG NO.	928

Mouser Electronics

Authorized Distributor

Click to View Pricing, Inventory, Delivery & Lifecycle Information:

[Keystone Electronics:](#)

[928](#)