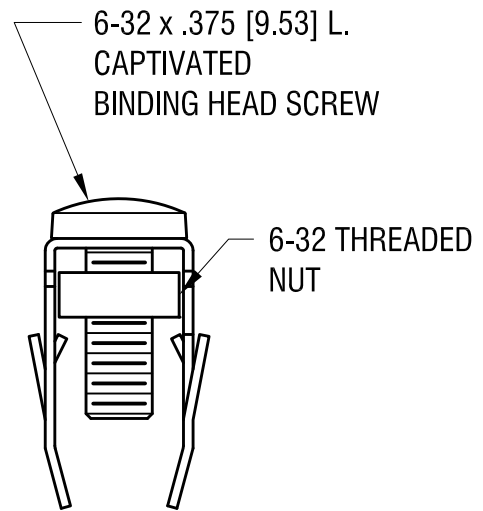
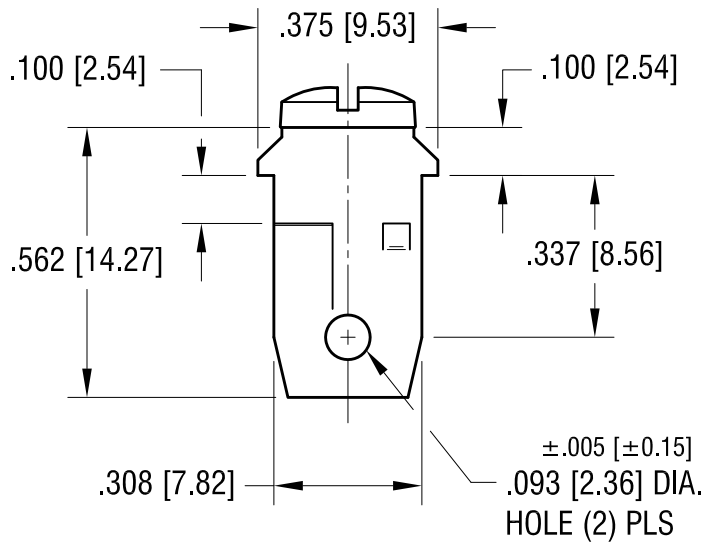
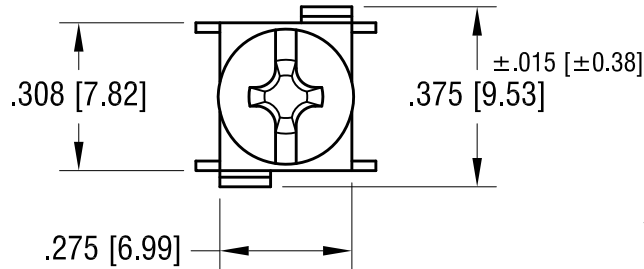
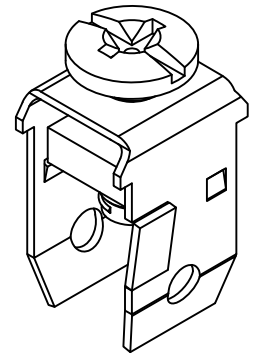


THIS DOCUMENT IS THE PROPERTY OF KEYSTONE ELECTRONICS CORP. AND SHALL NOT BE REPRODUCED, DISTRIBUTED OR USED AS A BASIS FOR MANUFACTURE WITHOUT PRIOR WRITTEN PERMISSION FROM KEYSTONE ELECTRONICS CORP.



NOTE:

1. HEAT TREAT TO SPRING TEMPER
2. TERMINAL: MAT'L: .020 [0.50] TH'K STEEL
FINISH: MATTE TIN PLATE
- SCREW/NUT: MAT'L: STEEL
FINISH: ZINC PLATE
3. PRESS-FIT INTO .312 [7.92] SQ. HOLE

7.16.09	CHANGE AS PER ECN 09-106	B
4.17.96	CHANGE AS PER ECR 96-020	A
DATE	DESCRIPTION	REV.

KEYSTONE ELECTRONICS CORP.											
www.keyelco.com • ASTORIA, N.Y. 11105-2017 • Tel (718) 956-8900											
PART NAME		PRESS-FIT SCREW TERMINAL									
MATERIAL		AS NOTED									
FINISH		AS NOTED									
TOLERANCES		<table border="1"> <tr> <td>INCH</td> <td>[MM]</td> </tr> <tr> <td>DECIMAL</td> <td>± .010 [± 0.25]</td> </tr> <tr> <td>ANGULAR</td> <td>± 1°</td> </tr> <tr> <td colspan="2">UNLESS OTHERWISE SPECIFIED</td> </tr> </table>		INCH	[MM]	DECIMAL	± .010 [± 0.25]	ANGULAR	± 1°	UNLESS OTHERWISE SPECIFIED	
INCH	[MM]										
DECIMAL	± .010 [± 0.25]										
ANGULAR	± 1°										
UNLESS OTHERWISE SPECIFIED											
DRN BY	BOONE	DATE	5.7.82								
APP'D	LN	SCALE	2.5X								
CODE	C	DWG NO.	1272								

Mouser Electronics

Authorized Distributor

Click to View Pricing, Inventory, Delivery & Lifecycle Information:

[Keystone Electronics:](#)

[1272](#)