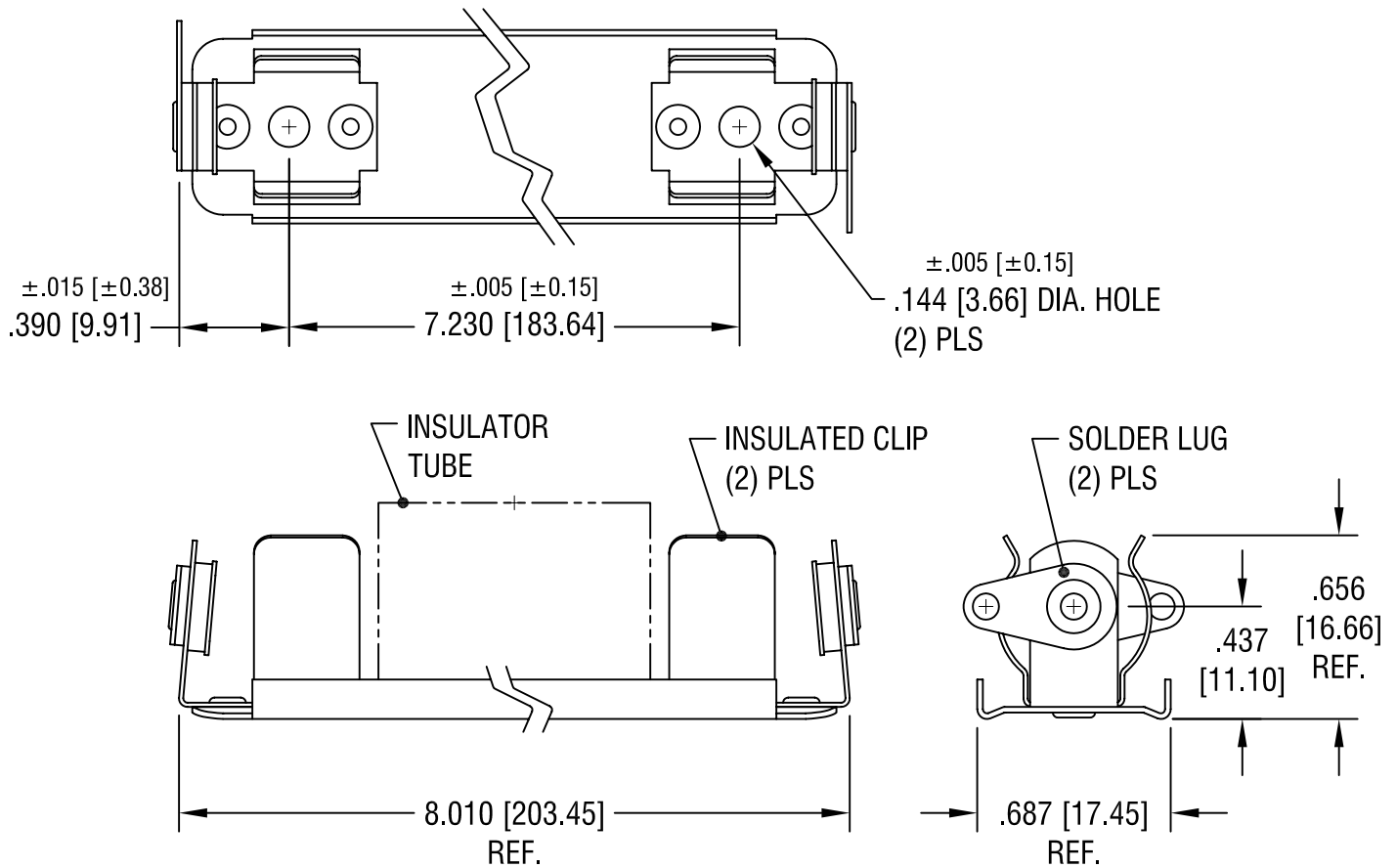


THIS DOCUMENT IS THE PROPERTY OF KEYSTONE ELECTRONICS CORP. AND SHALL NOT BE REPRODUCED, DISTRIBUTED OR USED AS A BASIS FOR MANUFACTURE WITHOUT PRIOR WRITTEN PERMISSION FROM KEYSTONE ELECTRONICS CORP.



NOTES:

- 1. BASE: MAT'L - STAINLESS STEEL
- CLIP: MAT'L - SPRING STEEL
- FINISH - NICKEL PLATE
- LUG: MAT'L - BRASS
- FINISH - TIN PLATE
- TUBE: MAT'L - WOUND PAPER, BLACK

KEYSTONE ELECTRONICS CORP.			
ASTORIA, N.Y. 11105-2017			
PART NAME			
INSULATED BATTERY HOLDER, (4) 'AA'			
MATERIAL			
AS NOTED			
FINISH		DRN BY	DATE
AS NOTED		BOONE	8.9.82
		APP'D	SCALE
		LN	1.5X
TOLERANCES		DWG NO.	
INCH	[MM]	2194	
DECIMAL	±.010 [±0.25]		
ANGULAR	± 1°		
UNLESS OTHERWISE SPECIFIED		CODE	
		C	

6.13.00	CHANGE AS PER ECN 00-046	B
5.11.83	REVISED	A
DATE	DESCRIPTION	REV.

Mouser Electronics

Authorized Distributor

Click to View Pricing, Inventory, Delivery & Lifecycle Information:

[Keystone Electronics:](#)

[2194](#)