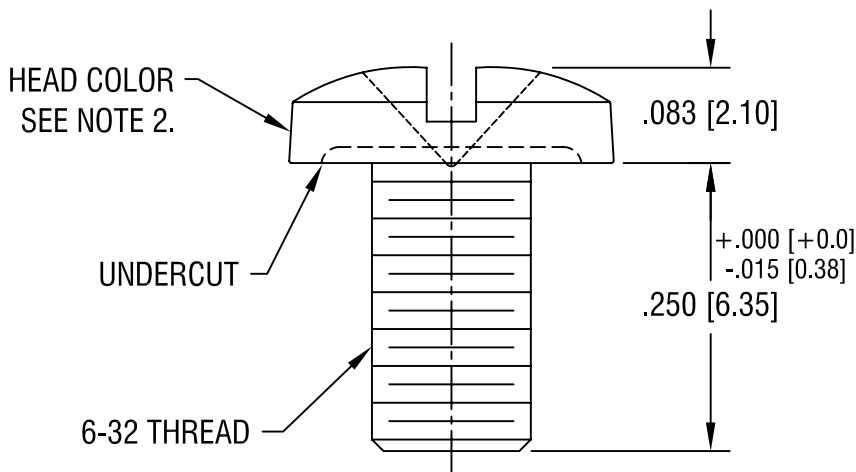
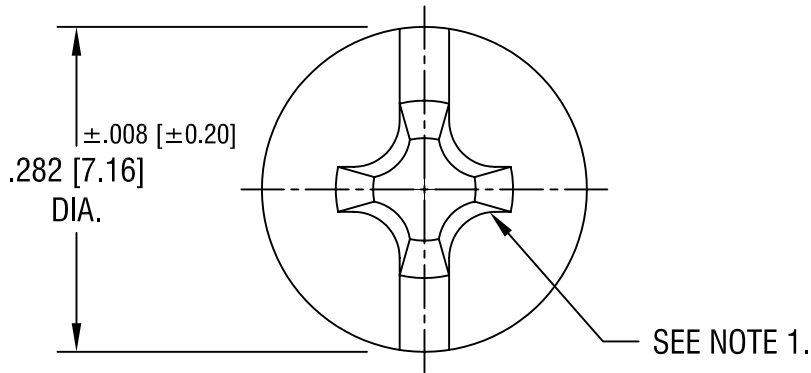


THIS DOCUMENT IS THE PROPERTY OF  
KEYSTONE ELECTRONICS CORP. AND  
SHALL NOT BE REPRODUCED, DISTRIBUTED  
OR USED AS A BASIS FOR MANUFACTURE  
WITHOUT PRIOR WRITTEN PERMISSION  
FROM KEYSTONE ELECTRONICS CORP.



PART NO.	HEAD COLOR
9190-2	RED
9190-3	BLACK
9190-4	WHITE
9190-5	BLUE
9190-6	GREEN
9190-7	YELLOW

NOTE:

1. TO ACCEPT STANDARD SLOT OR PHILLIPS DRIVE.
2. HEAD OF SCREW IS POWDER COATED WITH COLOR AS INDICATED IN CHART.

<b>KEYSTONE ELECTRONICS CORP.</b>			
ASTORIA, N.Y. 11105-2017			
PART NAME COMBINATION BINDING HEAD SCREW			
MATERIAL BRASS			
FINISH NICKEL PLATE		DRN BY BOONE	DATE 10.8.03
		APP'D LN	SCALE 6X
TOLERANCES INCH [MM] DECIMAL ± .005 [± 0.15] ANGULAR ± 1° UNLESS OTHERWISE SPECIFIED		CODE C	DWG NO. <b>9190-2 - 9190-7</b>

1.3.08	CHANGE AS PER ECN 08-019	A
DATE	DESCRIPTION	REV.

# Mouser Electronics

Authorized Distributor

Click to View Pricing, Inventory, Delivery & Lifecycle Information:

[Keystone Electronics:](#)

[9190-4](#)