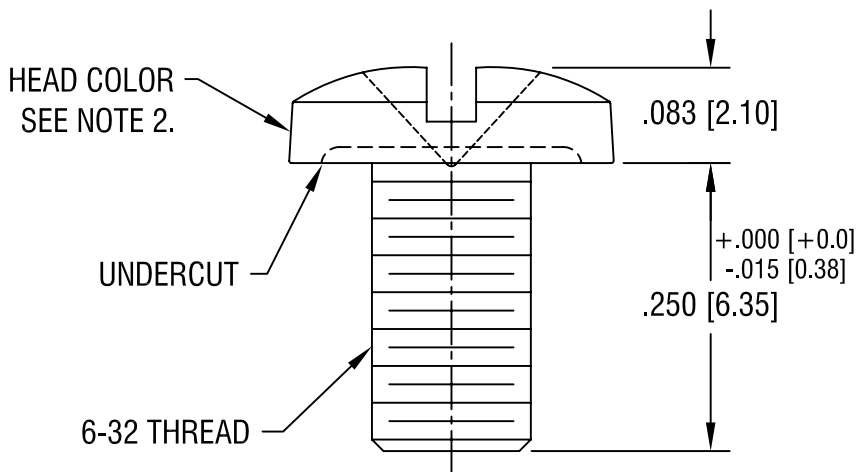
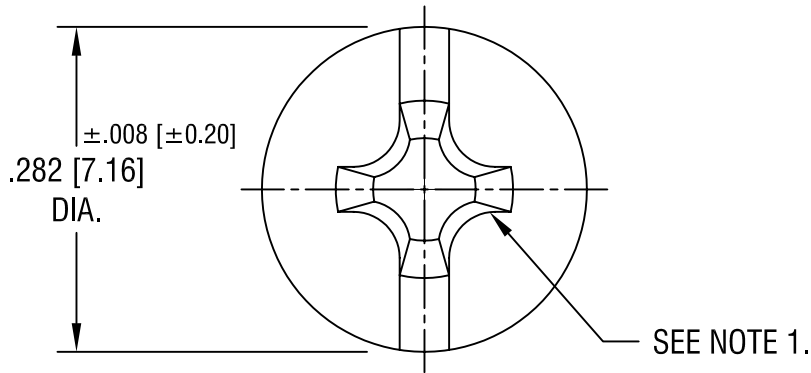


THIS DOCUMENT IS THE PROPERTY OF
KEYSTONE ELECTRONICS CORP. AND
SHALL NOT BE REPRODUCED, DISTRIBUTED
OR USED AS A BASIS FOR MANUFACTURE
WITHOUT PRIOR WRITTEN PERMISSION
FROM KEYSTONE ELECTRONICS CORP.



PART NO.	HEAD COLOR
9190-2	RED
9190-3	BLACK
9190-4	WHITE
9190-5	BLUE
9190-6	GREEN
9190-7	YELLOW

NOTE:

1. TO ACCEPT STANDARD SLOT OR PHILLIPS DRIVE.
2. HEAD OF SCREW IS POWDER COATED WITH COLOR AS INDICATED IN CHART.

KEYSTONE ELECTRONICS CORP.

ASTORIA, N.Y. 11105-2017

PART NAME COMBINATION BINDING HEAD SCREW			
MATERIAL BRASS			
FINISH NICKEL PLATE		DRN BY BOONE	DATE 10.8.03
		APP'D LN	SCALE 6X
TOLERANCES INCH [MM] DECIMAL $\pm .005$ [± 0.15] ANGULAR $\pm 1^\circ$ UNLESS OTHERWISE SPECIFIED		CODE C	DWG NO. 9190-2 - 9190-7

1.3.08	CHANGE AS PER ECN 08-019	A
DATE	DESCRIPTION	REV.

Mouser Electronics

Authorized Distributor

Click to View Pricing, Inventory, Delivery & Lifecycle Information:

[Keystone Electronics:](#)

[9190-3](#)