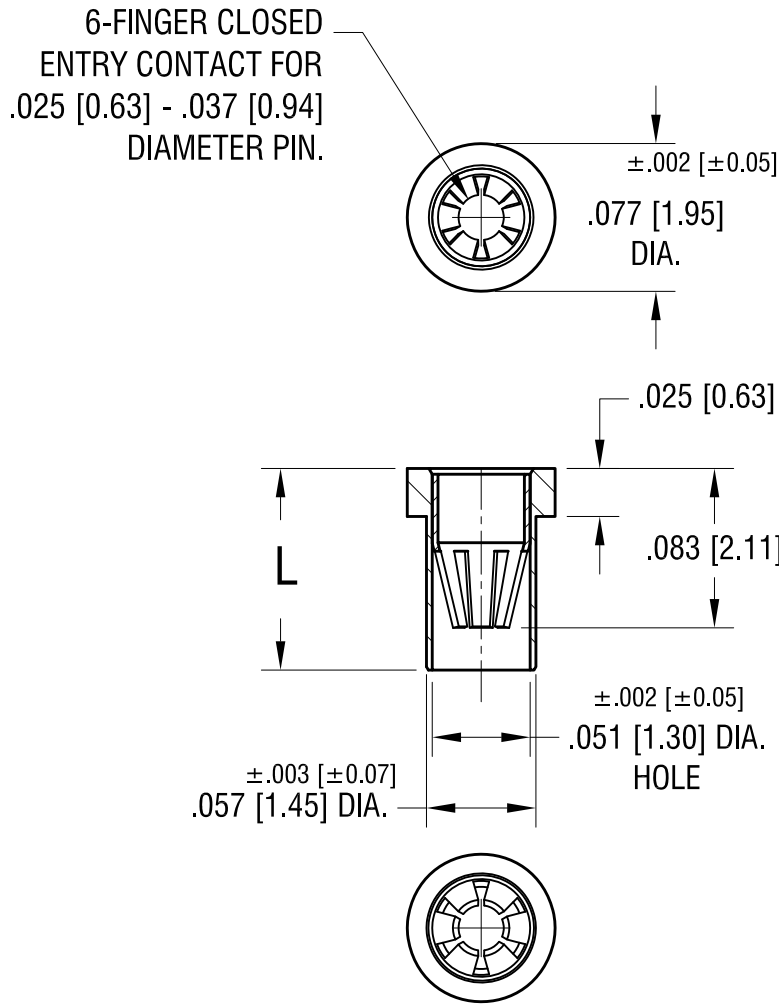


THIS DOCUMENT IS THE PROPERTY OF KEYSTONE ELECTRONICS CORP. AND SHALL NOT BE REPRODUCED, DISTRIBUTED OR USED AS A BASIS FOR MANUFACTURE WITHOUT PRIOR WRITTEN PERMISSION FROM KEYSTONE ELECTRONICS CORP.



NOTES:

- 1. SPRING CONTACT:  
 MAT'L - BERYLLIUM COPPER  
 FINISH - TIN/LEAD PLATE
- BODY:  
 MAT'L - BRASS  
 FINISH - TIN/LEAD PLATE

2. MOUNTING HOLE DIA.: .061 [1.55]

| PART NO. | 'L' DIM.    |
|----------|-------------|
| 1614-1   | .095 [2.41] |
| 1614-2   | .105 [2.67] |
| 1614-3   | .155 [3.94] |

| DATE     | DESCRIPTION              | REV. |
|----------|--------------------------|------|
| 5.9.11   | CHANGE AS PER ECN 11-060 | B    |
| 10.24.07 | CHANGE AS PER ECN 07-068 | A    |

|   |                 |        |              |
|---|-----------------|--------|--------------|
| <b>KEYSTONE ELECTRONICS CORP.</b>                               |                 |        |              |
| www.keyelco.com • ASTORIA, N.Y. 11105-2017 • Tel (718) 956-8900 |                 |        |              |
| PART NAME   |                 |        |              |
| MICRO JACK, SOLDER MOUNT  |                 |        |              |
| MATERIAL  |                 |        |              |
| AS NOTED  |                 |        |              |
| FINISH  |                 | DRN BY | DATE         |
| AS NOTED  |                 | BOONE  | 2.26.07      |
|   |                 | APP'D  | SCALE        |
|   |                 | LN     | 10X          |
| TOLERANCES  | INCH [MM]       | CODE   | DWG NO.      |
| DECIMAL   | ± .005 [± 0.13] | C/M    | <b>1614-</b> |
| ANGULAR   | ± 1°            |        |              |
| UNLESS OTHERWISE SPECIFIED                                      |                 |        |              |

# Mouser Electronics

Authorized Distributor

Click to View Pricing, Inventory, Delivery & Lifecycle Information:

[Keystone Electronics:](#)

[1616](#)