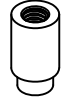
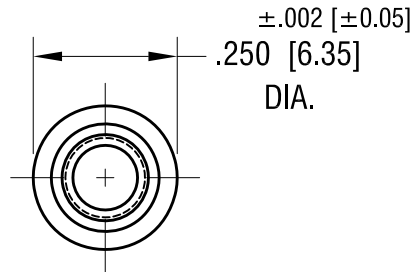
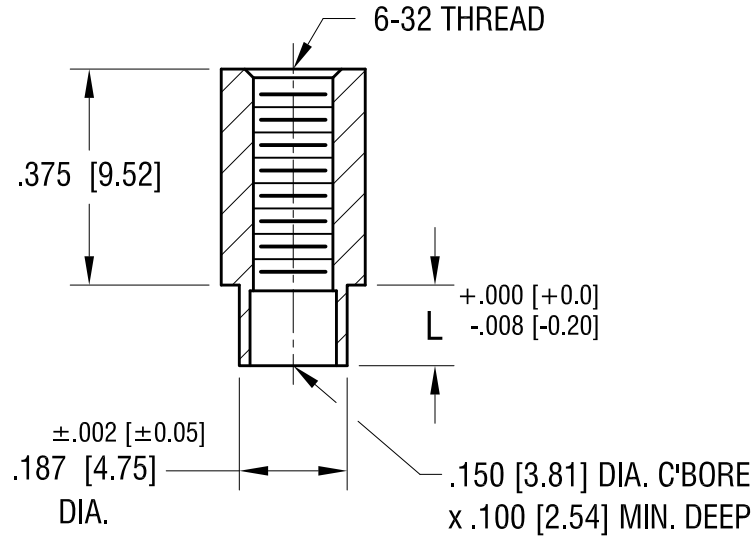


THIS DOCUMENT IS THE PROPERTY OF
KEYSTONE ELECTRONICS CORP. AND
SHALL NOT BE REPRODUCED, DISTRIBUTED
OR USED AS A BASIS FOR MANUFACTURE
WITHOUT PRIOR WRITTEN PERMISSION
FROM KEYSTONE ELECTRONICS CORP.

ACTUAL SIZE



P/N 1561B



PART NO.	'L' DIM.
1561B	.109 [2.77]
1561C	.140 [3.56]
1561D	.171 [4.34]

KEYSTONE ELECTRONICS CORP.

www.keyelco.com • NEW HYDE PARK NY 11040 • Tel (516)328-7500

PART NAME				SWAGE THREADED STANDOFF			
MATERIAL				BRASS			
FINISH		DUCTILE NICKEL PLATE		DRN BY		BOONE	
				APP'D		LN	
				DATE		5.14.02	
				SCALE		3X	
TOLERANCES				INCH [MM]		CODE	
DECIMAL				± .005 [± 0.13]		DWG NO.	
ANGULAR				± 1°		C	
UNLESS OTHERWISE SPECIFIED						1561-	

11.22.21	CHANGE AS PER ECN 21-168	A
DATE	DESCRIPTION	REV.

Mouser Electronics

Authorized Distributor

Click to View Pricing, Inventory, Delivery & Lifecycle Information:

[Keystone Electronics:](#)

[1561B](#)