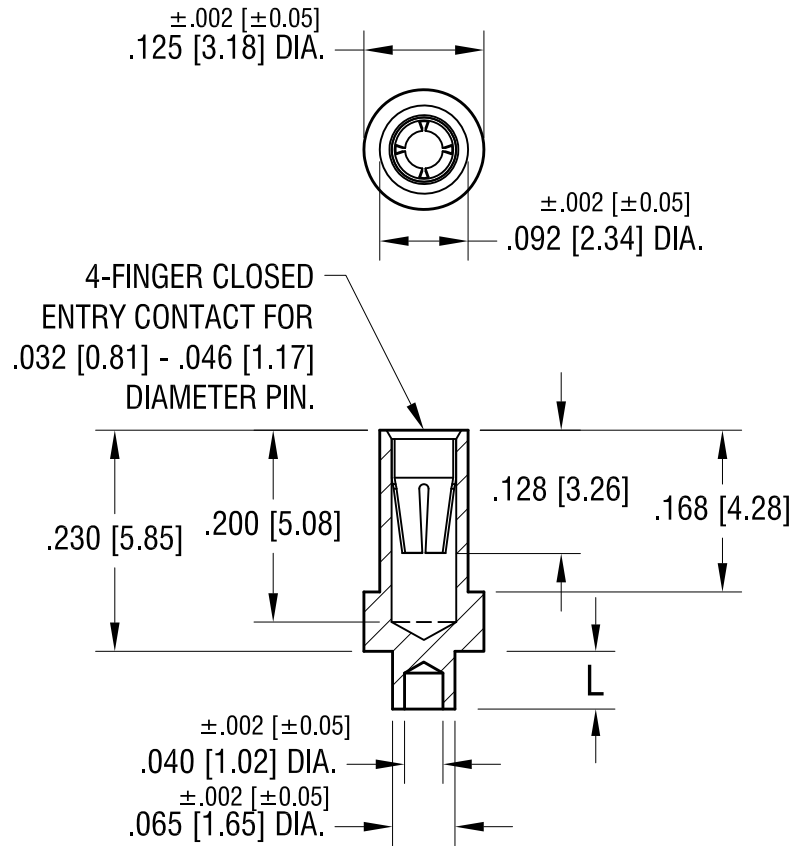


THIS DOCUMENT IS THE PROPERTY OF  
KEYSTONE ELECTRONICS CORP. AND  
SHALL NOT BE REPRODUCED, DISTRIBUTED  
OR USED AS A BASIS FOR MANUFACTURE  
WITHOUT PRIOR WRITTEN PERMISSION  
FROM KEYSTONE ELECTRONICS CORP.



PART NO.	'L' DIM.
1419-1	.062 [1.57]
1419-2	.094 [2.39]
1419-3	.125 [3.18]
1419-4	.156 [3.96]

NOTES:

1. BODY: MAT'L - BRASS  
SPRING CONTACT: MAT'L - BERYLLIUM COPPER
2. MOUNTING HOLE DIA.: .067 [1.70]

**KEYSTONE ELECTRONICS CORP.**  
www.keyelco.com • ASTORIA, N.Y. 11105-2017 • Tel (718) 956-8900

PART NAME: MICRO JACK, SWAGE MOUNT

MATERIAL: AS NOTED

FINISH: GOLD PLATE	DRN BY: BOONE	DATE: 2.5.07
	APP'D: LN	SCALE: 5X

TOLERANCES: INCH [MM]  
DECIMAL: ± .005 [± 0.13]  
ANGULAR: ± 1°  
UNLESS OTHERWISE SPECIFIED

CODE: C

DWG NO.: 1419-1 - 1419-4

DATE	DESCRIPTION	REV.

# Mouser Electronics

Authorized Distributor

Click to View Pricing, Inventory, Delivery & Lifecycle Information:

[Keystone Electronics:](#)

[1419-3](#) [1419-4](#)