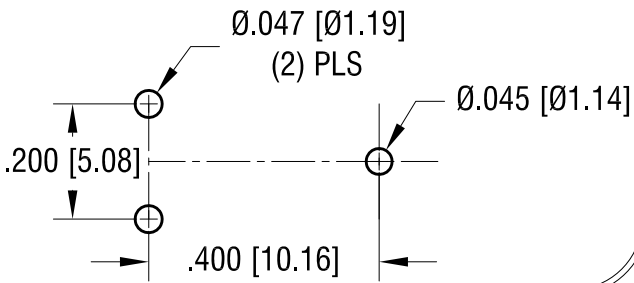
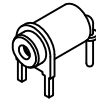


THIS DOCUMENT IS THE PROPERTY OF KEYSTONE ELECTRONICS CORP. AND SHALL NOT BE REPRODUCED, DISTRIBUTED OR USED AS A BASIS FOR MANUFACTURE WITHOUT PRIOR WRITTEN PERMISSION FROM KEYSTONE ELECTRONICS CORP.

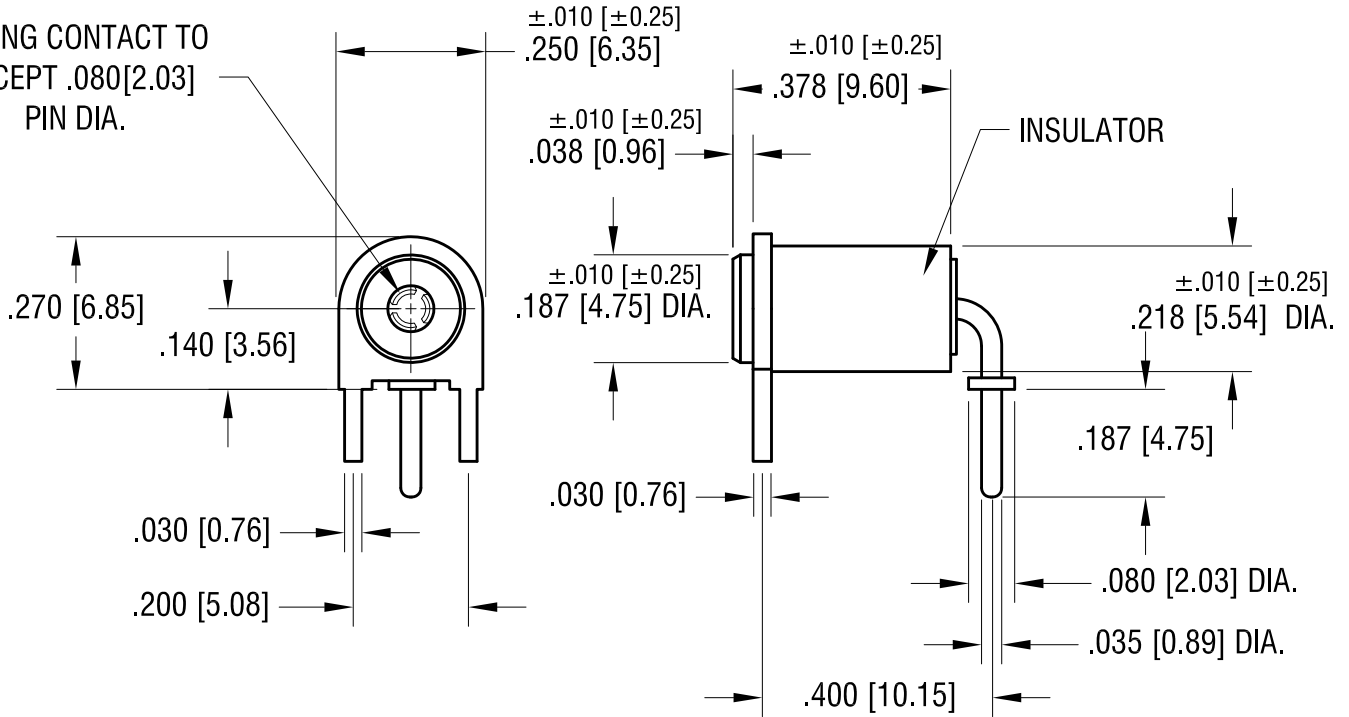
MOUNTING DETAIL



ACTUAL SIZE



SPRING CONTACT TO ACCEPT .080[2.03] PIN DIA.



NOTES:

1. TERMINAL JACK: MAT'L - BERYLLIUM COPPER (QQ-C-533)
2. BUSHING: MAT'L - PTFE
3. MOUNTING BRACKET: MAT'L - BRASS

PART NO.	COLOR
11015	WHITE
11015-R	RED
11015-B	BLACK

KEYSTONE ELECTRONICS CORP.

www.keyelco.com • NEW HYDE PARK, NY 11040 • Tel (516) 328-7500

PART NAME			
HORIZONTAL INSULATED TEST JACK			
MATERIAL			
AS NOTED			
FINISH		DRN BY	DATE
GOLD PLATE		NT	7.10.07
		APP'D	SCALE
		RH	3X
TOLERANCES	INCH [MM]	CODE	DWG NO.
DECIMAL	± .005 [± 0.13]	C	11015-
ANGULAR	± 1°		
UNLESS OTHERWISE SPECIFIED			

10.14.11	CHANGE AS PER ECN 11-133	A
DATE	DESCRIPTION	REV.

Mouser Electronics

Authorized Distributor

Click to View Pricing, Inventory, Delivery & Lifecycle Information:

[Keystone Electronics:](#)

[11015-B](#)