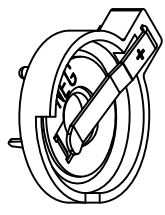
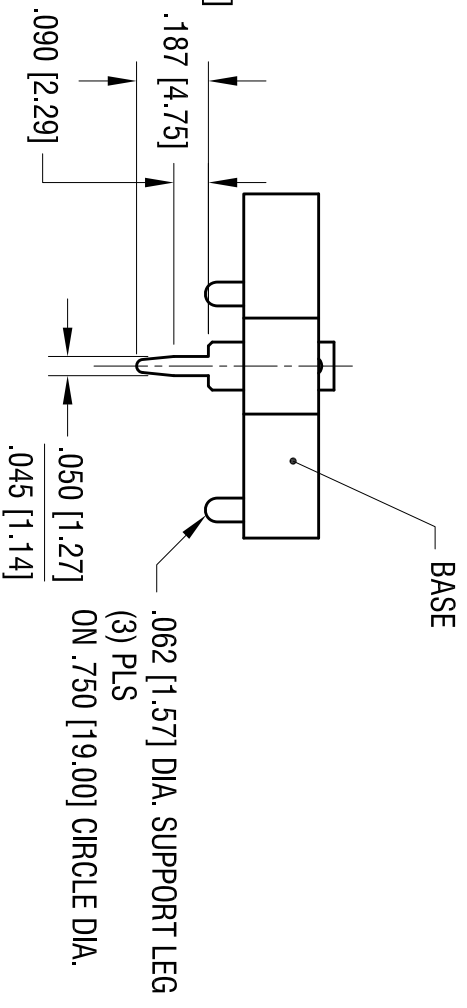
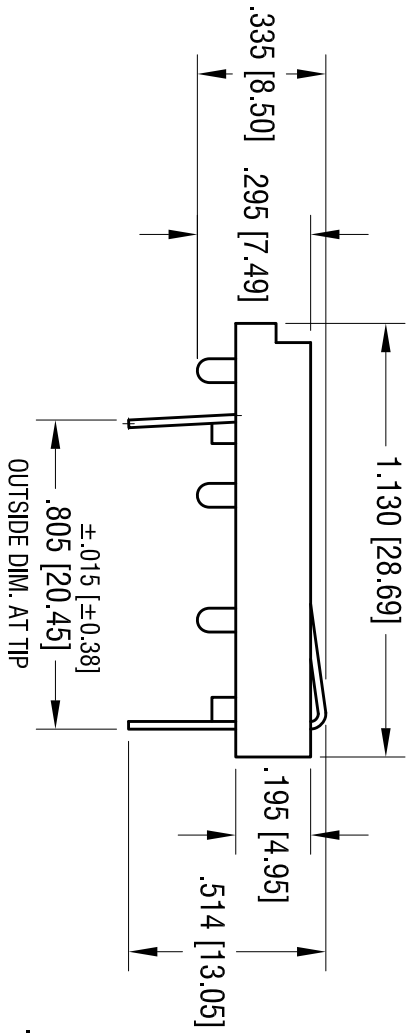
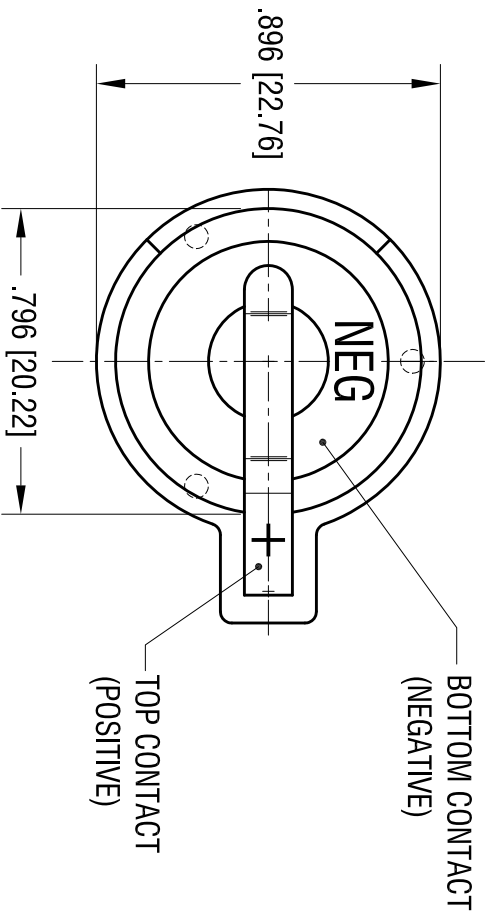
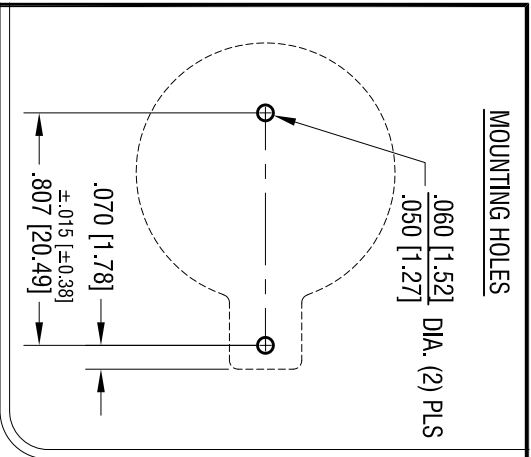


DATE	DESCRIPTION	REV.
9.20.04	CHANGE AS PER ECN 04-110	F
11.2.11	CHANGE AS PER ECN 11-142	G



ACTUAL SIZE

THIS DOCUMENT IS THE PROPERTY OF KEYSTONE ELECTRONICS CORP. AND SHALL NOT BE REPRODUCED, DISTRIBUTED OR USED AS A BASIS FOR MANUFACTURE WITHOUT PRIOR WRITTEN PERMISSION FROM KEYSTONE ELECTRONICS CORP.

<b>KEYSTONE ELECTRONICS CORP.</b>			
www.keystonelco.com • NEW HYDE PARK, NY 11040 • Tel (516) 328-7500			
PART NAME <b>COIN CELL PC BATTERY HOLDER</b>			
MATERIAL <b>AS NOTED</b>			
FINISH <b>AS NOTED</b>		DRN BY <b>BOONE</b>	DATE <b>8.15.84</b>
TOLERANCES DECIMAL ± .010 [± 0.25 ] ANGULAR ± 1°		CODE <b>C</b>	DWG NO. <b>103</b>
UNLESS OTHERWISE SPECIFIED			

- NOTES:
1. BASE:  
MATE'L - PBT (UL 94V-0), COLOR BLACK
  2. CONTACTS (TOP AND BOTTOM):  
MATE'L - .020 [0.50] THK SPRING STEEL  
FINISH: TIN NICKEL PLATE

# Mouser Electronics

Authorized Distributor

Click to View Pricing, Inventory, Delivery & Lifecycle Information:

[Keystone Electronics:](#)

[103](#)