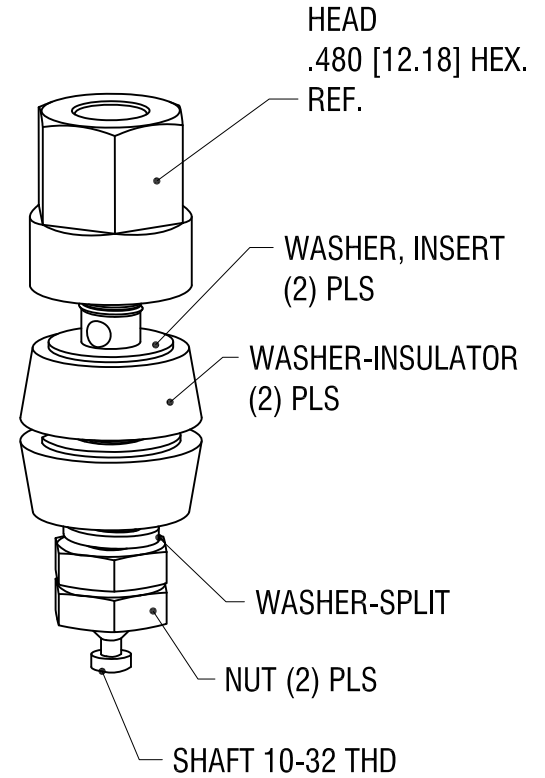
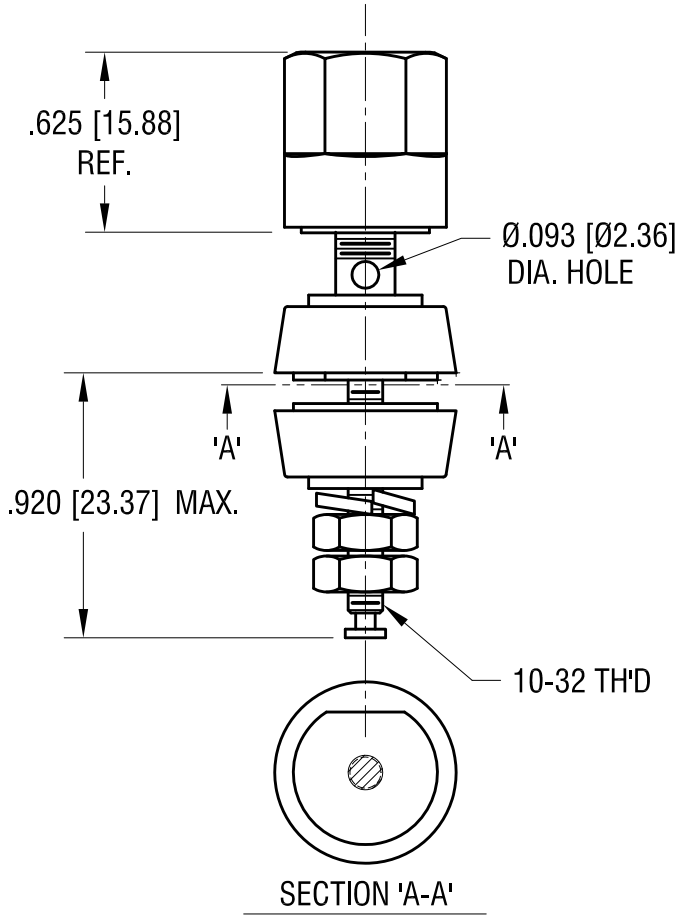
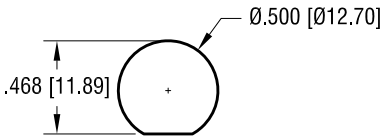


THIS DOCUMENT IS THE PROPERTY OF KEYSTONE ELECTRONICS CORP. AND SHALL NOT BE REPRODUCED, DISTRIBUTED OR USED AS A BASIS FOR MANUFACTURE WITHOUT PRIOR WRITTEN PERMISSION FROM KEYSTONE ELECTRONICS CORP.

MOUNTING DETAIL



P/N	TH'D	COLOR
7016	10-32	RED
7017	10-32	BLACK

DESCRIPTION	MAT'L	FINISH
HEAD	NYLON	-
WASHER, INSULATOR	NYLON	-
WASHER, INSERT	BRASS	GOLD PL.
WASHER, SPLIT	BRASS	GOLD PL.
NUT	BRASS	GOLD PL.
SHAFT 10-32 TH'D	BRASS	GOLD PL.

DATE	DESCRIPTION	REV.
8.14.12	CHANGE AS PER ECN 12-105	B
3.03.11	CHANGE AS PER ECN 11-027	A

KEYSTONE ELECTRONICS CORP.
 www.keyelco.com • ASTORIA, N.Y. 11105-2017 • Tel (718) 956-8900

PART NAME: STANDARD 'HEX' BINDING POST

MATERIAL: AS NOTED

FINISH: AS NOTED	DRN BY: BOONE	DATE: 11.17.93
	APP'D: LN	SCALE: X

TOLERANCES INCH [MM]
 DECIMAL ± .005 [± 0.13]
 ANGULAR ± 1°
 UNLESS OTHERWISE SPECIFIED

CODE: C

DWG NO.: 7016-7017

Mouser Electronics

Authorized Distributor

Click to View Pricing, Inventory, Delivery & Lifecycle Information:

[Keystone Electronics:](#)

[7016](#)