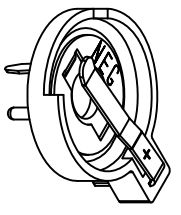
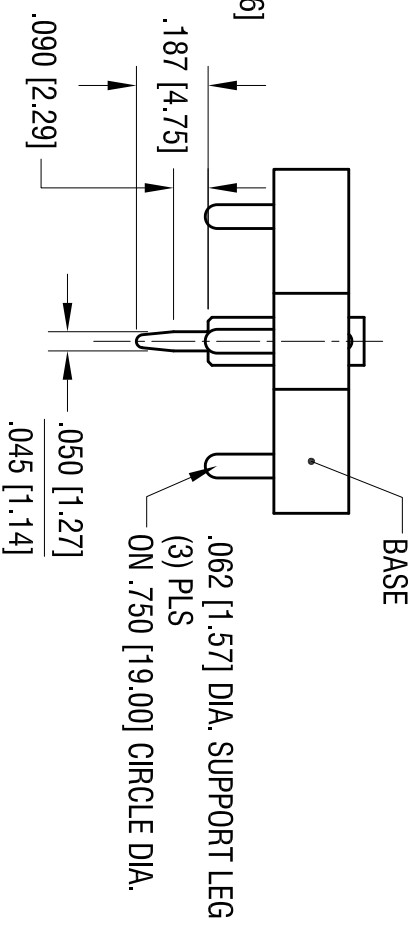
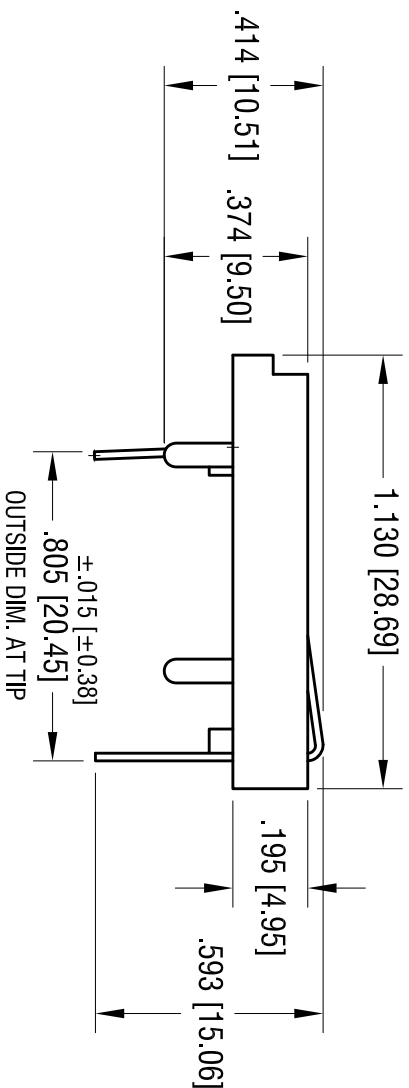
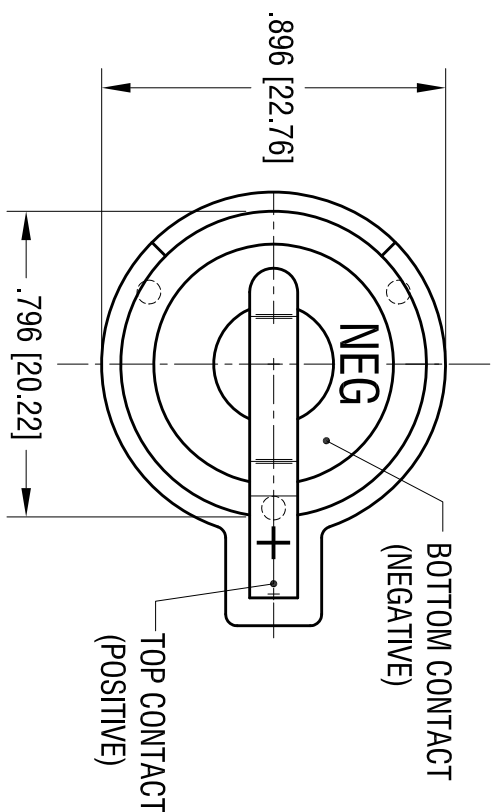
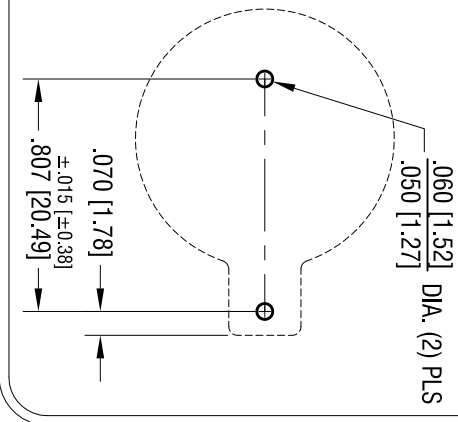


MOUNTING HOLES



ACTUAL SIZE

- NOTES:**
1. BASE:
MAT'L - PBT (UL 94V-0), COLOR BLACK
 2. CONTACTS (TOP AND BOTTOM):
MAT'L - .020 [0.50] THK SPRING STEEL
FINISH: TIN NICKEL PLATE

DATE	DESCRIPTION	REV.
11.2.11	CHANGE AS PER ECN 11-144	A

KEYSTONE ELECTRONICS CORP.
www.keystec.com • NEW HYDE PARK, NY 11040 • Tel (516) 328-7500

PART NAME
COIN CELL PC BATTERY HOLDER

MATERIAL
AS NOTED

FINISH
AS NOTED

TOLERANCES	INCH	[MM]	CODE	DRN BY	DATE
DECIMAL	± .010	[± .025]	C	BOONE	3.4.05
ANGULAR	± 1°			LN	SCALE 2X
UNLESS OTHERWISE SPECIFIED					

101

Mouser Electronics

Authorized Distributor

Click to View Pricing, Inventory, Delivery & Lifecycle Information:

[Keystone Electronics:](#)

[101](#)