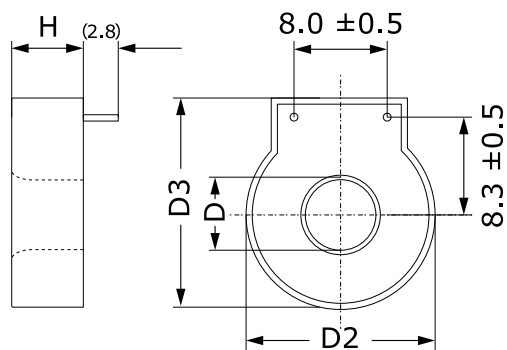


KEMET Part Number: MR/C-01
(USEZA001000000)

KEMET, MR, Current, Round - Toroidal, Zero Phase, High Sensitivity, Compact



General Information	
Series:	MR
Type:	Current
Style:	Round - Toroidal
Description:	Zero-Phase Current Transformers
Features:	High Sensitivity, Compact
Lead:	2 Pin
RoHS:	Yes
Notes:	Measurement Conditions: f=60Hz, R=1000 Ohms, I _o =15 mAmps

Dimensions	
D	6mm MIN
H	6.7mm MAX
D2	17.5mm MAX
D3	19mm MAX

Specifications	
Temperature Range:	-20/+80°C
Voltage DC:	12.5 mV MIN (Output)
Current:	15 Amps
Resistance:	30 Ohms
Miscellaneous:	Overinput characteristics (After DC5A input) = 10% MAX.

Packaging Specifications	
Packaging:	Tray
Packaging Quantity:	1200
Weight:	2.3 g

Mouser Electronics

Authorized Distributor

Click to View Pricing, Inventory, Delivery & Lifecycle Information:

[KEMET:](#)

[MR/C-01](#) [MR/C-01B](#)