

**RoHS
Compliant**

**Surface Mount
Resistors
5 Watts**



General Specifications

Resistive Element	Thick film
Substrate	BeO Ceramic
Terminals	Thick film Silver
Operating Temperature	-55 to +125°C (see chart)

Tolerance is $\pm 0.010"$, unless otherwise specified. Designed to meet or exceed applicable portions of MIL-E-5400. All dimensions in inches.

Electrical Specifications

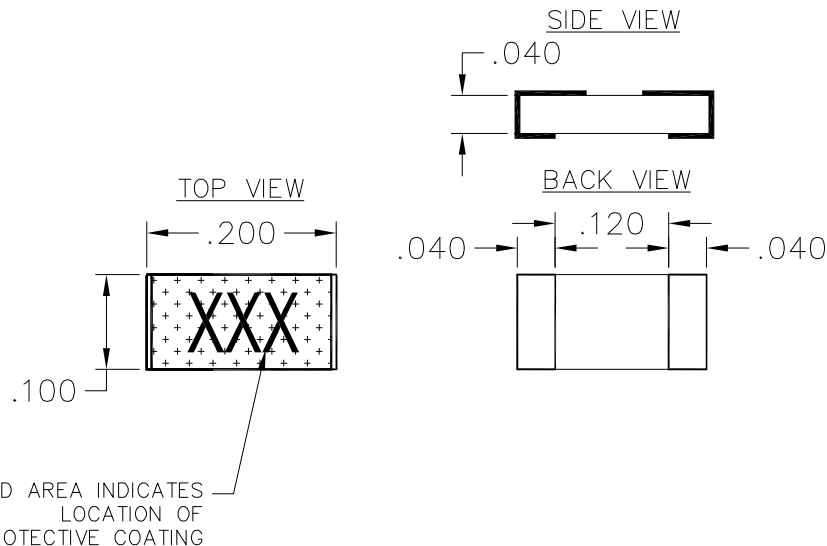
Resistance Value:	See Chart, $\pm 2\%$
Power:	5 Watts
Frequency Range:	DC – 3.0 GHz
Capacitance	0.3 pF

Specification based on unit properly installed using suggested mounting instructions and a 50 ohm nominal impedance. **Specifications subject to change without notice**

Features:

- 5 Watts
- Surface Mount
- Beryllium Oxide Ceramic
- Non-Nichrome Resistive Element
- Low VSWR
- 100% Tested
- RoHS Compliant

Outline Drawing



D5BXXXXY1A (097) Rev E

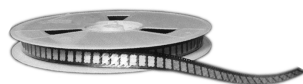
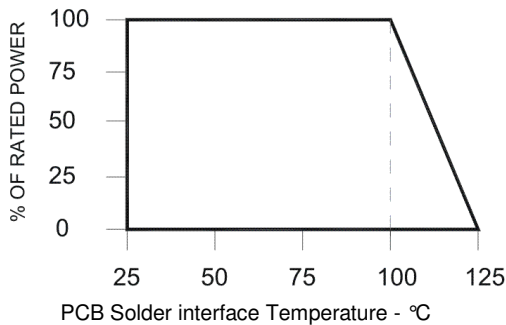


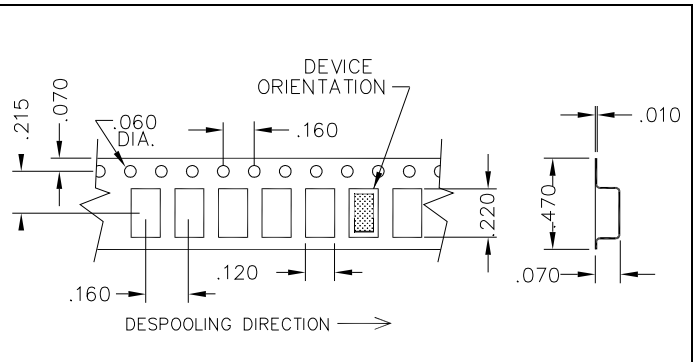


TABLE I			
REFERENCE	VALUE	TOL.	MATERIAL
D5BR5Y1A	0.5 Ω	$\pm 2\%$	BeO .040
D5B1Y1A	1 Ω	$\pm 2\%$	BeO .040
D5B1R2Y1A	1.2 Ω	$\pm 2\%$	BeO .040
D5B4Y1A	4 Ω	$\pm 2\%$	BeO .040
D5B5Y1A	5 Ω	$\pm 2\%$	BeO .040
D5B10Y1A	10 Ω	$\pm 2\%$	BeO .040
D5B25Y1A	25 Ω	$\pm 2\%$	BeO .040
D5B36R5Y1A	36.5 Ω	$\pm 1\%$	BeO .040
D5B39R2Y1A	39.2 Ω	$\pm 1\%$	BeO .040
D5B50Y1A	50 Ω	$\pm 2\%$	BeO .040
D5B51Y1A	51 Ω	$\pm 1\%$	BeO .040
D5B54Y1A	54 Ω	$\pm 2\%$	BeO .040
D5B100Y1A	100 Ω	$\pm 2\%$	BeO .040
D5B120Y1A	120 Ω	$\pm 2\%$	BeO .040
D5B150Y1A	150 Ω	$\pm 2\%$	BeO .040
D5B220Y1A	220 Ω	$\pm 2\%$	BeO .040
D5B255Y1A	255 Ω	$\pm 2\%$	BeO .040
D5B750Y1A	750 Ω	$\pm 2\%$	BeO .040
D5B1KY1A	1K Ω	$\pm 2\%$	BeO .040

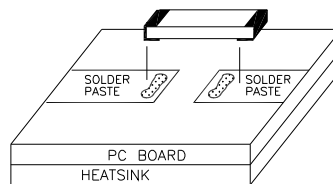
Power De-rating:



Tape & Reel:



Mounting Footprint and Procedure:



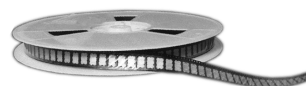
MOUNTING PROCEDURE

1. Make sure that the devices are mounted on flat surfaces (0.001" under the device) to optimize the heat transfer.
2. Position device on mounting surface and solder in place using an appropriate type solder.

D5BXXXXY1A (097) Rev E

USA/Canada: (315) 432-8909
 Toll Free: (800) 544-2414
 Europe: +44 2392-232392

Available on Tape and Reel For Pick and Place Manufacturing.



Anaren
 What'll we think of next?™

Mouser Electronics

Authorized Distributor

Click to View Pricing, Inventory, Delivery & Lifecycle Information:

[Anaren:](#)

[D5B100Y1A](#)