

### Hybrid Couplers 3 dB, 90°



#### Applications

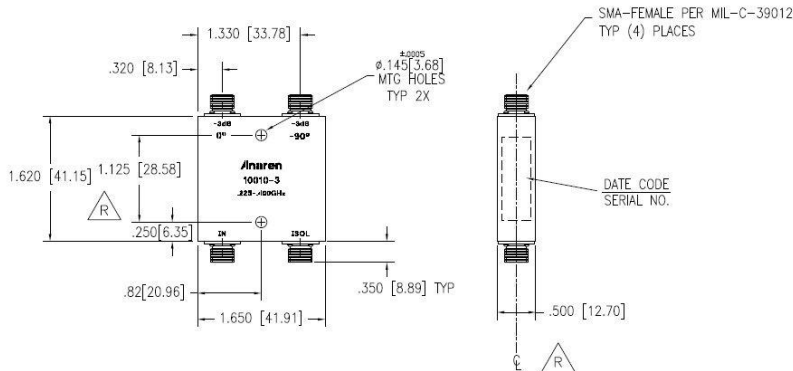
- Balanced Mixers
- Antenna Feed Networks
- Phasing Networks
- Dividers/Combiners

#### Features

- Military Grade
- 0.225 – 0.4 GHz
- 2 – Way power Split
- Quadrature
- Connectors Per MIL-C-39012
- Rugged Aluminum Housing
- Low VSWR
- Meets MIL-E-5400 Class 3 Requirements

#### Outline Drawing

Electrical and Mechanical Specifications subject to change without notice.



#### NOTES:

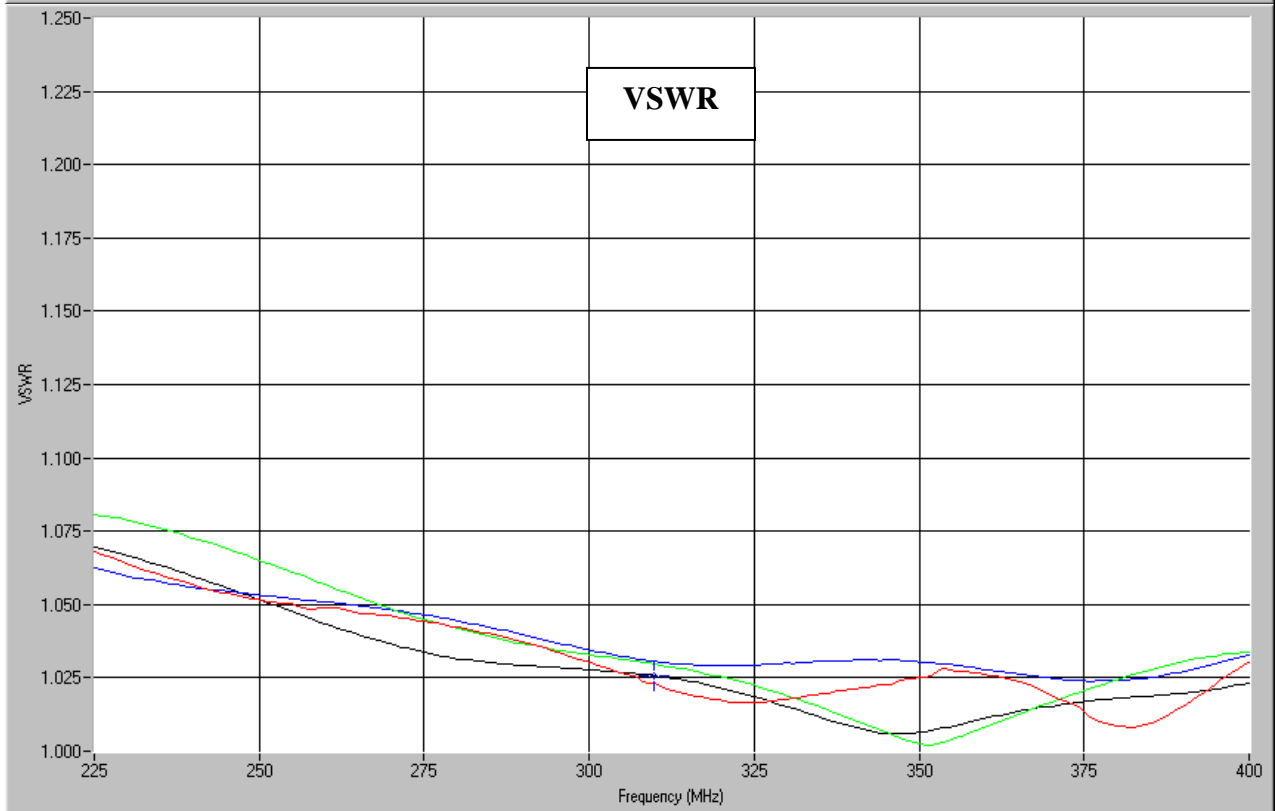
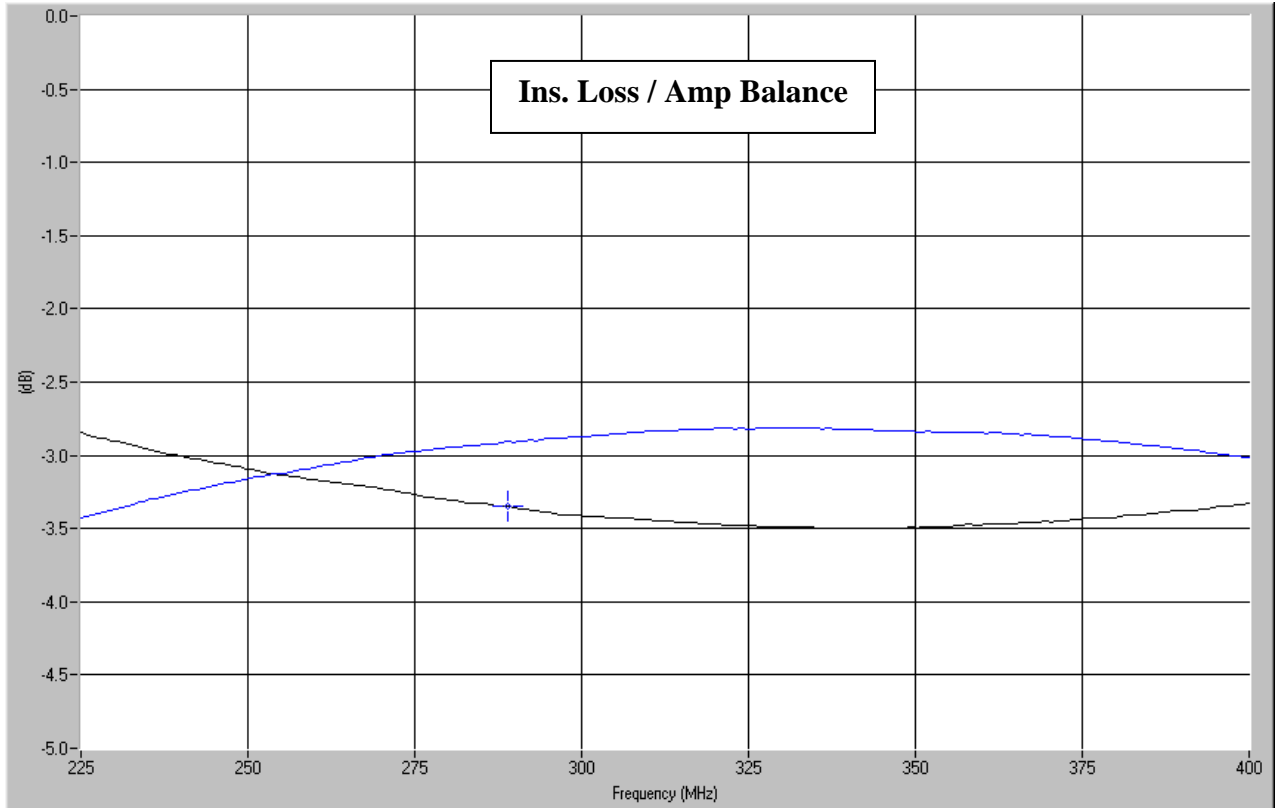
1. DIMENSIONS ARE IN INCHES AND (MILLIMETERS)
2. MARKING SHALL BE IN ACCORDANCE WITH MIL-STD-130.
3. FINISH: EPOXY COATING PER MIL-C-22750, COLOR CHIP 35180 (BLUE) PER FED-STD-595, OVER EPOXY PRIMER PER MIL-P-23337.
4. WEIGHT: 2.5 OUNCES (71 GRAMS) MAXIMUM

#### ELECTRICAL SPECIFICATIONS

|                                     |
|-------------------------------------|
| FREQ. 225-400 MHz                   |
| ISOLATION: 23.0 Db MINIMUM          |
| INSERTION LOSS: .30 dB MAXIMUM      |
| VSWR: 1.20:1.0 MAXIMUM              |
| AMPLITUDE BALANCE: ±.50 dB MAXIMUM  |
| PHASE BALANCE: ±2.0 DEGREES MAXIMUM |
| AVG. CW POWER: 250 WATTS            |

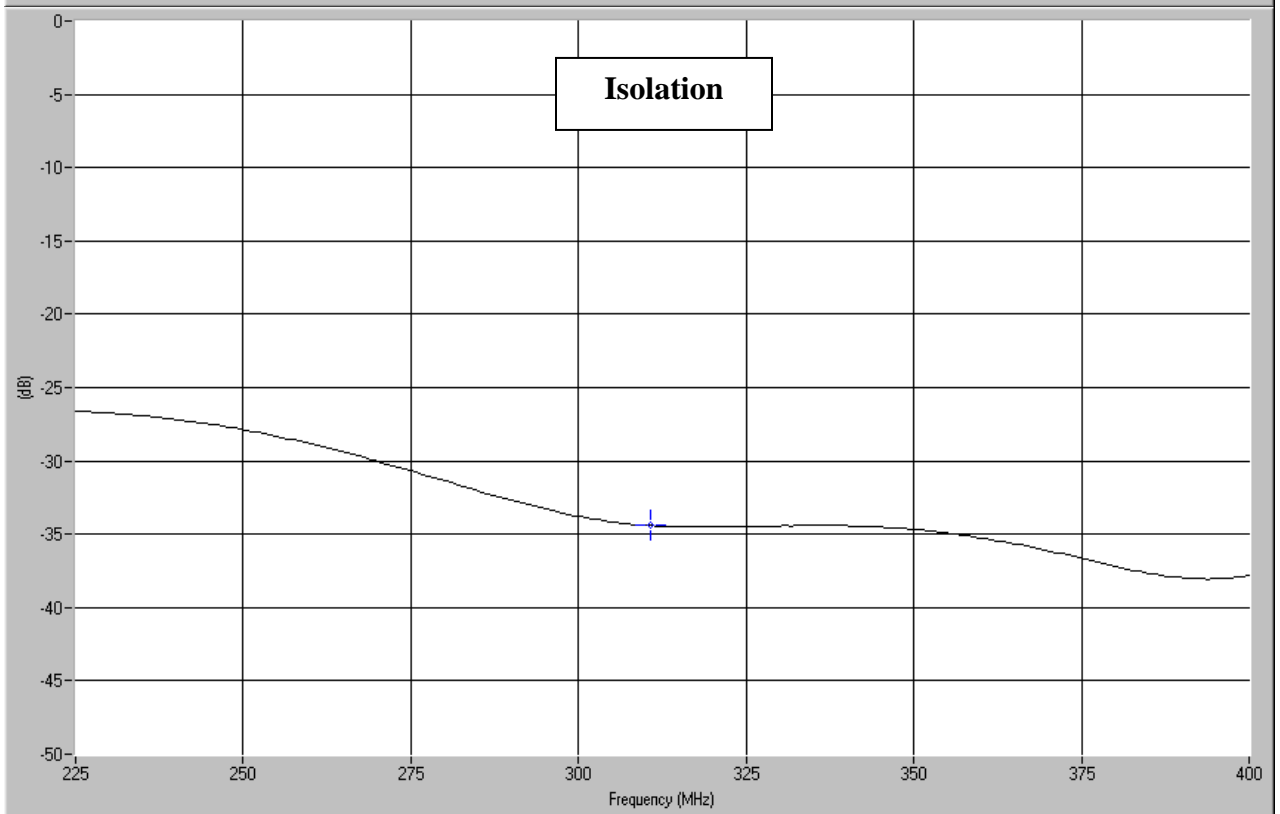
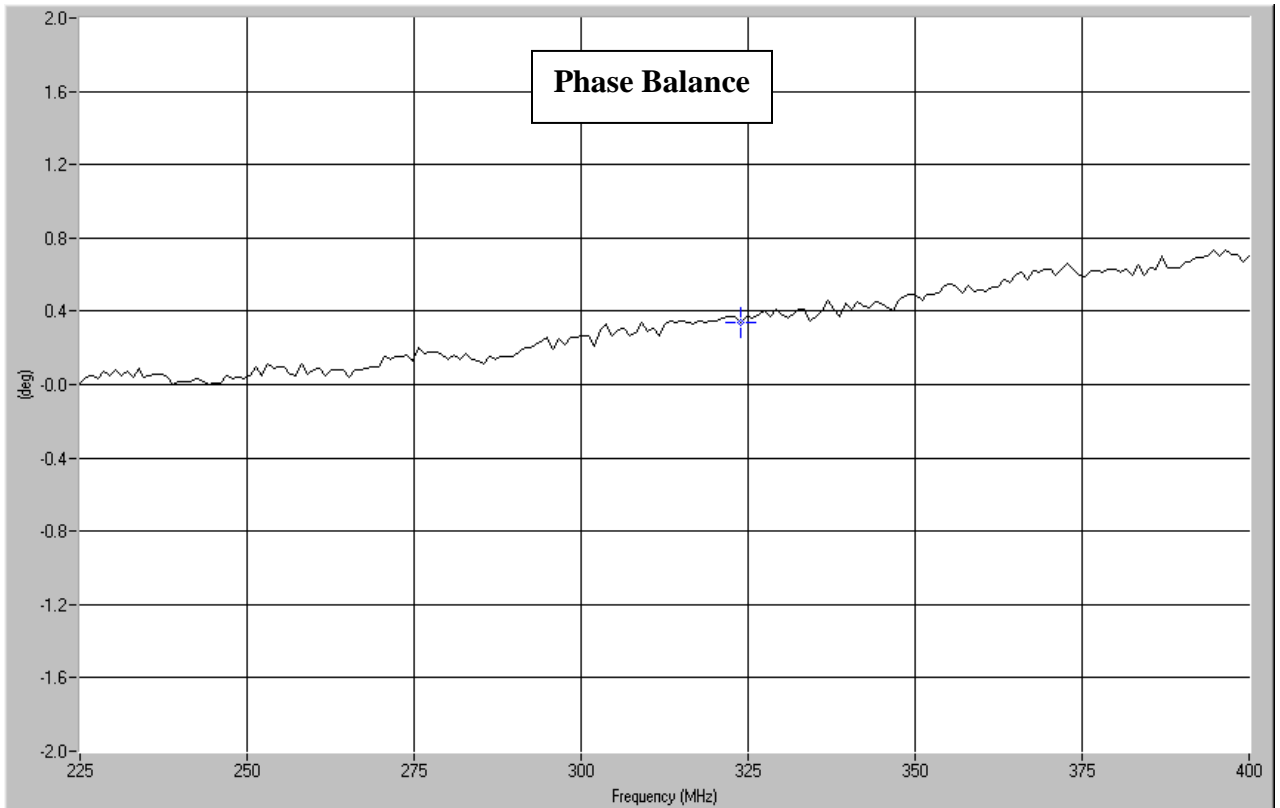
|                      |                    |  |              |
|----------------------|--------------------|--|--------------|
| <b>Anaren</b>        |                    | ANAREN MICROWAVE INC.<br>EAST SYRACUSE, NEW YORK |              |
| COUPLER, 3dB 90° HYB |                    |  |              |
| SIZE<br>B            | CAGE CODE<br>31597 | DOC NO.<br>10909-G001                            |              |
| SCALE<br>1/1         | DOC CODE<br>3      | REV<br>R   | SHEET 1 OF 1 |

**Typical Test Data Plots**



USA/Canada: (315) 432-8909  
 Toll Free: (800) 411-6596  
 Europe: +44 2392-232392

### Typical Test Data Plots



# Mouser Electronics

Authorized Distributor

Click to View Pricing, Inventory, Delivery & Lifecycle Information:

[Anaren:](#)

[10010-3](#)