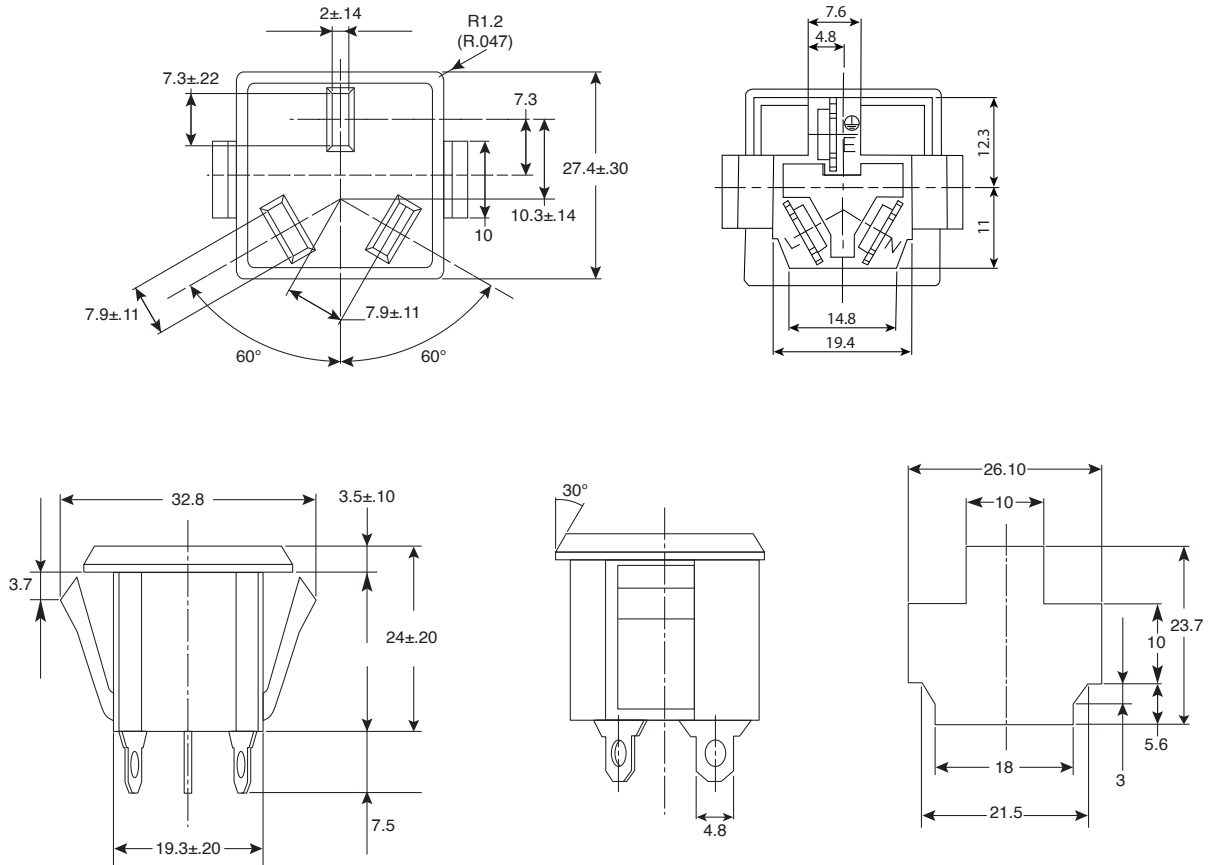


DIMENSIONS: mm



SPECIFICATIONS:

| | |
|-------------------------|----------------------|
| Insulation Resistance : | Over 100MΩ at 500VDC |
| Dielectric Strength : | 2000VAC for 1 minute |
| RoHS Compliant | |

Mouser Electronics

Authorized Distributor

Click to View Pricing, Inventory, Delivery & Lifecycle Information:

[Kobiconn:](#)

[161-RA0300-E](#)