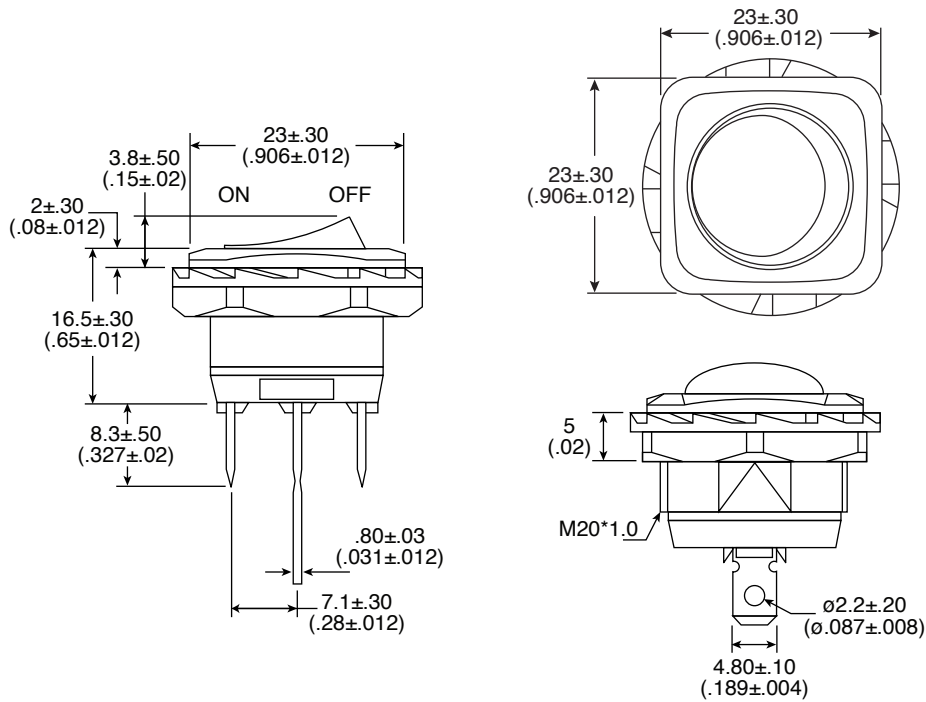


DIMENSIONS: mm (in.)



Cutout	Circuit Arrangement	Circuit Diagram
<p>18.60 (.732) $\phi 20.20$ ($\phi .795$) 6mm (.236) Max.</p>	<p>3P SPST Illuminated 125VAC 33K</p>	<p>33 KΩ OFF 3 2 1</p>
		<p>33 KΩ ON 3 2 1</p>

Electrical Specifications:

- Rating: 16A/125VAC, 10A/250V AC
- Contact Resistance: 50m Ω max.
- Insulation Resistance: 500VDC 100M Ω min.
- Dielectric Strength: 1500VAC 1 minute

Note:

- RoHS Compliant

Mouser Stock No.	Neon Color
103-R13-135B-02R-EV	Red
103-R13R-135B-02G-EV	Green

Illuminated Rocker Switches

103-R13-135B-02R-EV, 103-R13-135B-02G-EV



Mouser Electronics

Authorized Distributor

Click to View Pricing, Inventory, Delivery & Lifecycle Information:

[Mountain Switch:](#)

[103-R13-135B-02G-EV](#) [103-R13-135B-02R-EV](#)