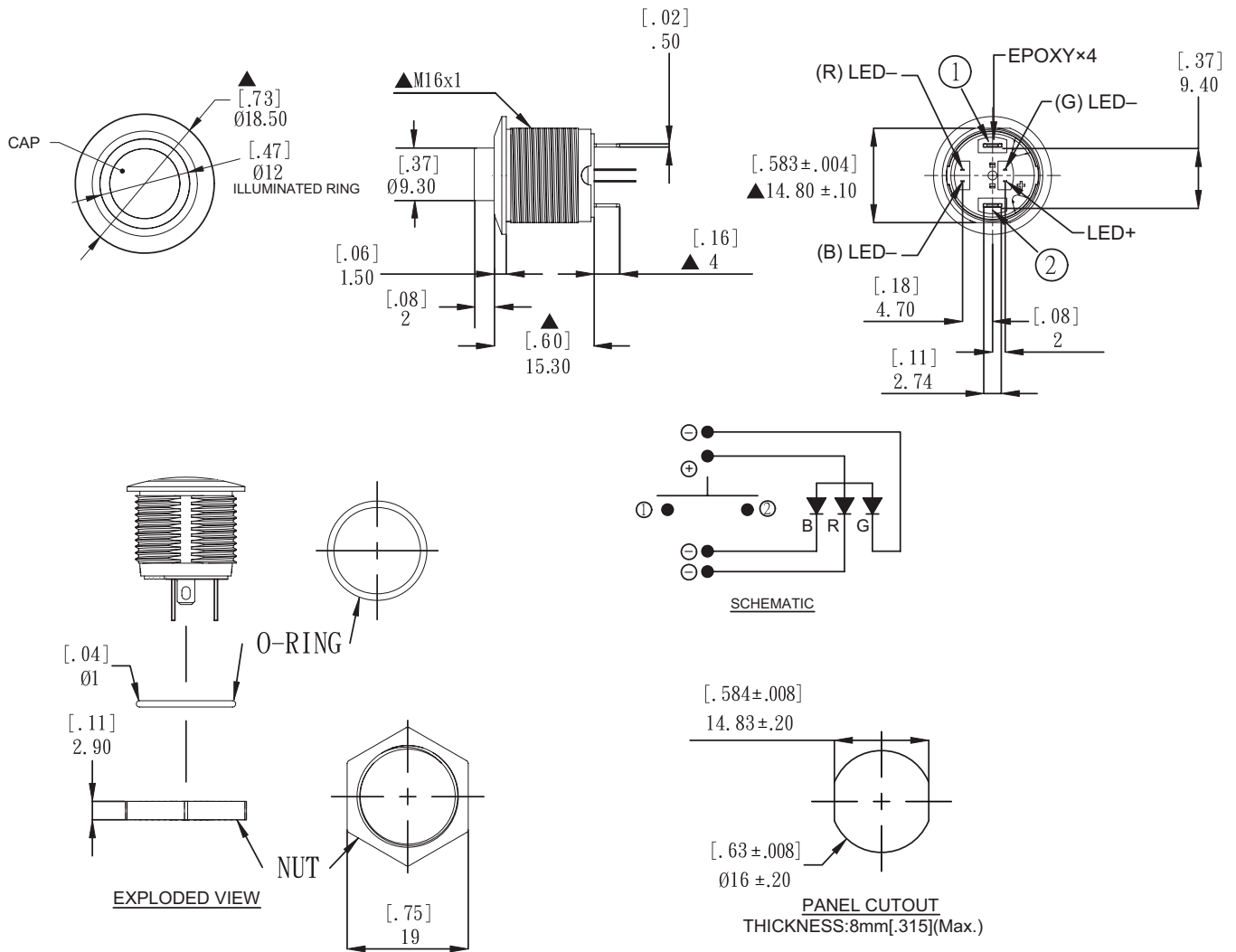


Dimensions: mm (In.)



Electrical Specifications:

- Rating: 2A/36VDC.
- Life: 200,000 Make-And-Break Cycles At Full Load.
- Insulation Resistance: 1,000M Ω Min. at 500VDC
- Dielectric Strength: 2,000 V RMS@ sea level.
- Contact Resistance: 50m Ω Max. @1A/12VDC(Initial Value)

Mechanical Specifications:

- Life: 1,000,000 Cycles.
- Operating Temperature: -20°C~+70°C

Note:

- RoHS Compliant by Exemption

Illuminated Pushbutton Switch
108-161E0-EVX

**Mountain
Switch**

Available from Mouser Electronics

www.mouser.com

1-800-346-6873

Specifications are subject to change without notice. No liability or warranty implied by this information. Environmental compliance based on producer documentation.

Mouser Electronics

Authorized Distributor

Click to View Pricing, Inventory, Delivery & Lifecycle Information:

[Mountain Switch:](#)

[108-161E0-EVX](#)