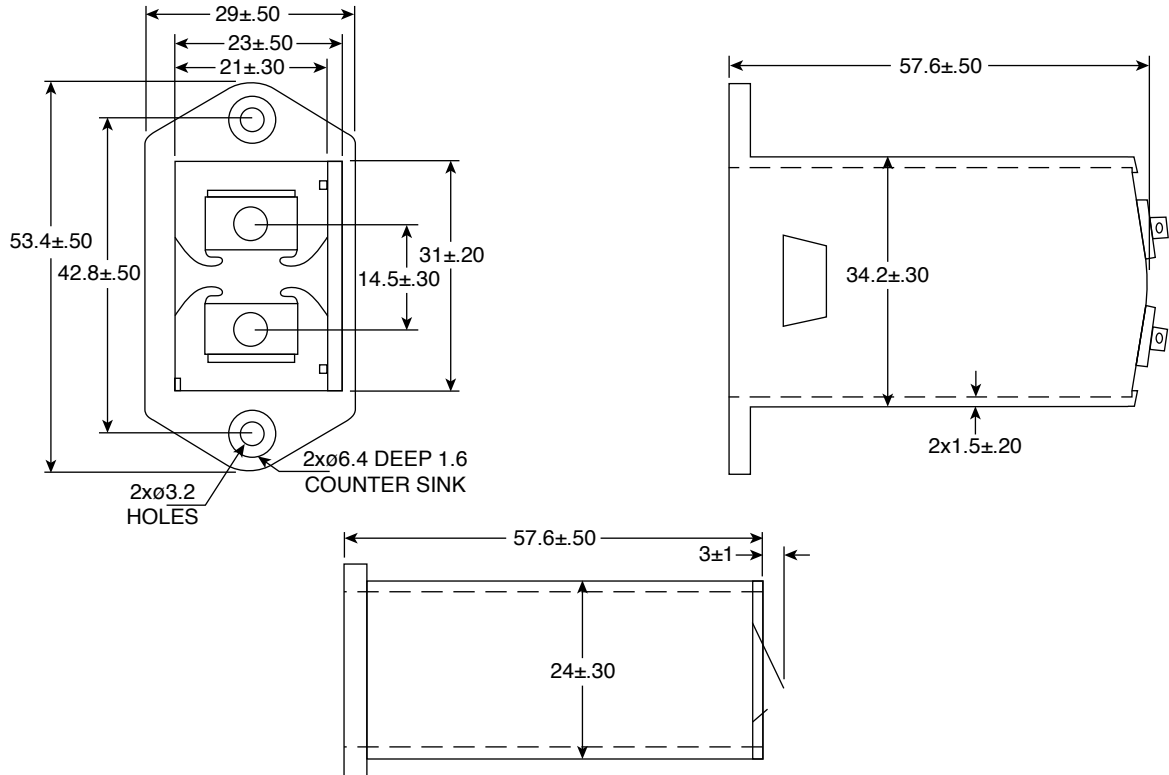


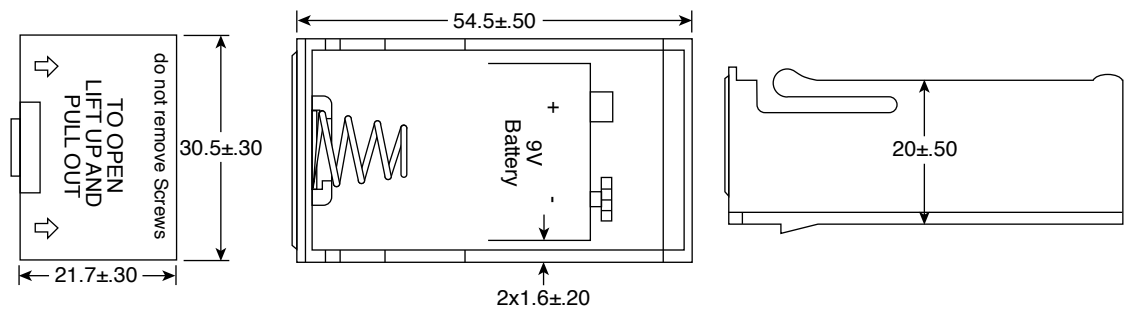
DIMENSIONS: mm

Date Last Revised: 09-30-15

Cover



Bottom



SPECIFICATIONS

Material:	PA6+25% Glass Filled Black Color
Spring:	ϕ .7mm Stainless Steel Natural Color
RoHS Compliant	

Available from Mouser Electronics
1-800-346-6873 / www.mouser.com

EPD-200946

Mouser Electronics

Authorized Distributor

Click to View Pricing, Inventory, Delivery & Lifecycle Information:

[Eagle Plastic Devices:](#)

[12SBH9V1-GR](#)