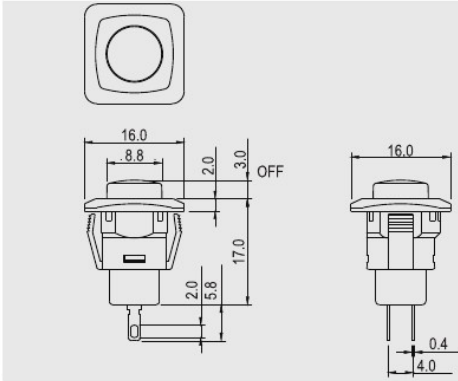
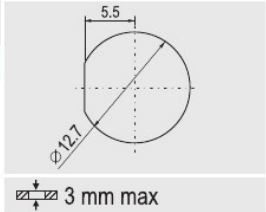


# R13-510



Rating	3A 125V AC 1.5A 250V AC
Contact resistance	50mΩ Max
Insulation resistance	DC 500V 100MΩ Min
Dielectric strength	AC 1000V 1 minute
Cut-out	



## FEATURES

- \* MATERIAL: Frame is nylon (UL flame: 94V-2). Terminals are silver plated brass.
- \* Snap in mounting, easy to install switch into panel.

## R13-510 ■ - ■ ■

FUNCTION		TERMINAL
<b>A</b>  2P SPST	<b>B</b>  2P SPST	0 3  .110" SQ 0 5  SO

\* ( ) =momentary

# Mouser Electronics

Authorized Distributor

Click to View Pricing, Inventory, Delivery & Lifecycle Information:

[Shin Chin:](#)

[R13-510A-05-BR](#)