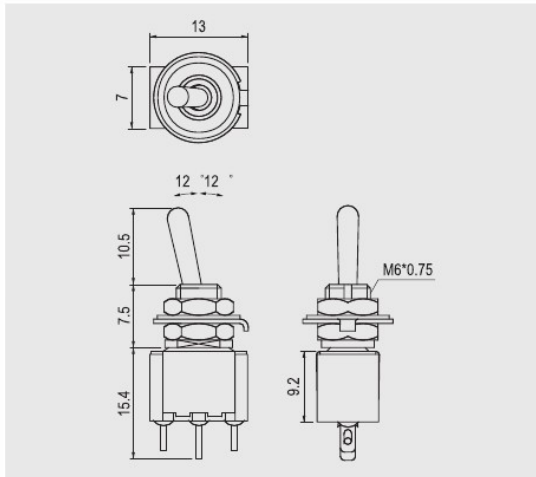


# (55 SERIES) TA1



<b>Rating</b>
6A 125V AC 3A 250V AC
<b>Contact resistant</b>
50mΩ Max
<b>Insulation resistant</b>
DC 500V 100MΩ Min
<b>Dielectric strength</b>
AC 1000V 1 minute
<b>Cut out</b>
$\varnothing 2.5$ 6.3
$\pm 0.1$ 1 mm max

## FEATURES

- \* MATERIAL: Phenolic base (UL flame: 94V-0).
- \* Contacts and Terminals are copper with silver alloy and silver plated.
- \* Epoxy sealed for dust and moisture resistant.
- \* Colorful handle covers and watertight boot are optional for toggle type A.



## TA1

FUNCTION		LEVER	TERMINAL
<b>0 1</b>  OFF 2P SPST ON	<b>0 5</b>  (ON) OFF ON 3P SPDT	<b>A Standard</b> 	<b>1</b> SO <b>2</b> PC <b>3</b> PC Angle(2.54) <b>5</b> PC Angle(3.8)
<b>0 2</b>  ON 3P SPDT ON	<b>0 6</b>  (ON) 3P SPDT ON	<b>F Flat</b> 	
<b>0 3</b>  ON 3P SPDT ON		<b>G Plastic</b> 	
<b>0 4</b>  (ON) 3P SPDT (ON)			



# Mouser Electronics

Authorized Distributor

Click to View Pricing, Inventory, Delivery & Lifecycle Information:

[Shin Chin:](#)

[55TA101A1-B](#)