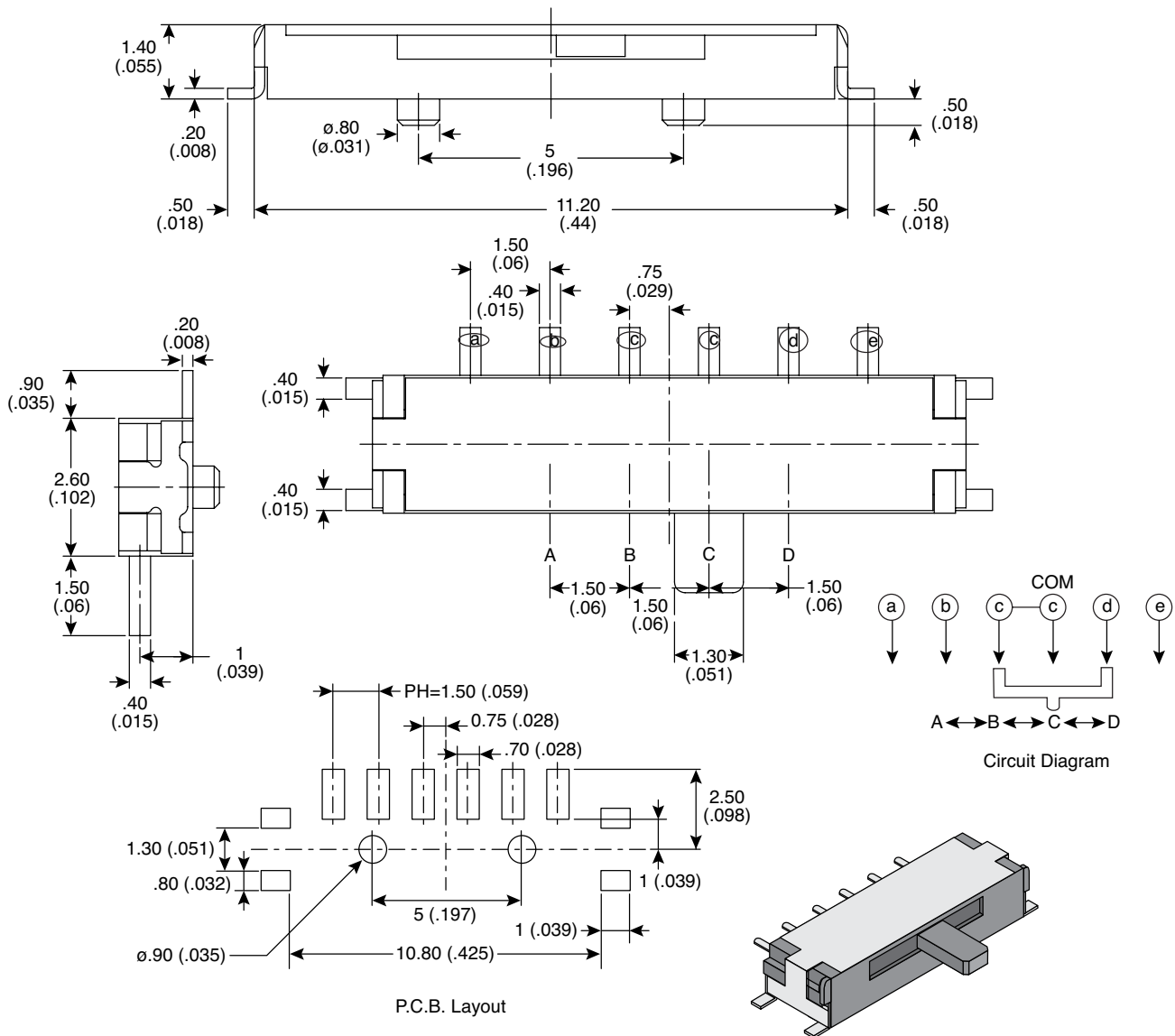


Dimensions: mm (in.)



Electrical Specifications:

- Rating: Non-Switching-300mA/4VDC
Switching-25mA/24VDC
- Contact Resistance: 70mΩ max.
- Insulation Resistance: 100MΩ min.
- Dielectric Strength: 100VAC for 1 min.

Mechanical Specifications:

- Operating Temperature: -20°C~+70°C
- Storage Temperature: -40°C~+85°C
- Tolerance: ±0.20mm

Note:

- RoHS Compliant and Process Compatible with 260° solder.

Miniature Slide Switch (SMT)
103-5043-EV



Mouser Electronics

Authorized Distributor

Click to View Pricing, Inventory, Delivery & Lifecycle Information:

[Mountain Switch:](#)

[103-5043-EV](#)