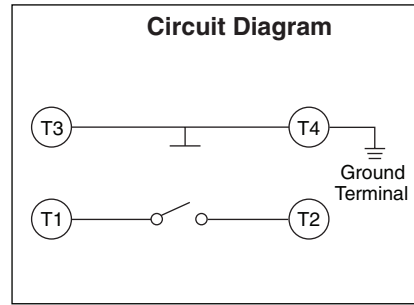
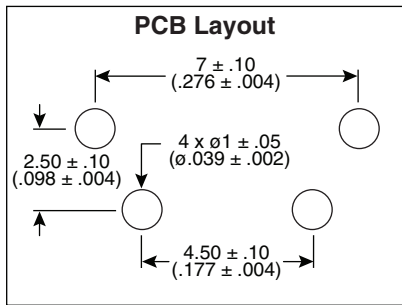
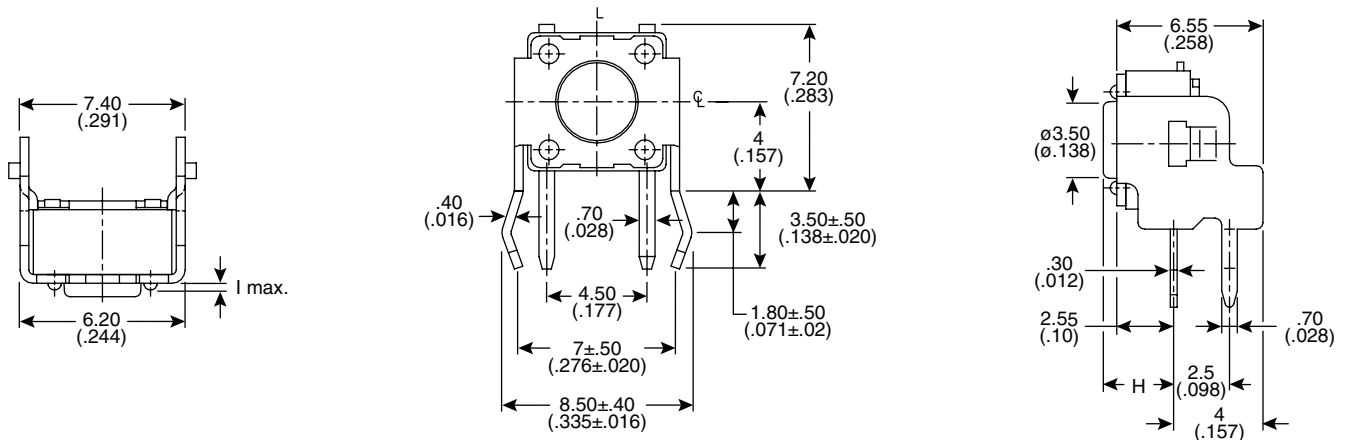


Dimensions: mm (in.)



Mechanical Specifications:

- Type: SPST
- Operation Force: 160 ± 50gf Brown (N)
- Stop Strength: Max. 3kgf vertical static load continuously for 15 seconds
- Stroke: (6x6) 0.25 +0.2mm/-0.1mm
- Operating Temperature: -25°C to +70°C
- Storage Temperature: -30°C to +80°C

Electrical Specifications:

- Electrical Life: 1,000,000 cycles
- Rating: 50mA/12VDC
- Contact Resistance: 100mΩ max.
- Insulation Resistance: 100MΩ min. @ 100VDC
- Dielectric Strength: 25VAC/1 min.

Note:

- RoHS Compliant and Process compatible with 260° solder.

Materials:

- Cover: Steel, tin plated
- Base: Nylon Thermoplastic
Color: Black
- Contact disc: Phosphor bronze w/ silver cladding
- Terminal: Brass w/ silver plating
- Cap: Thermoplastic ABS

Mouser Stock No.	Height (H)	I (Max.)
101-TS6511R1607-EV	11.85 (.467)	0.4 (.016)
101-TS6511R1606-EV	8.35 (.329)	0.4 (.016)
101-TS6511R1603-EV	5.85 (.230)	0.4 (.016)
101-TS6511R1602-EV	3.85 (.152)	0.4 (.016)
101-TS6511R1601-EV	3.15 (.124)	0.3 (.012)

Tactile Switches

101-TS6511R1601-EV, 101-TS6511R1602-EV, 101-TS6511R1603-EV,
101-TS6511R1606 -EV, 101-TS6511R1607 -EV



Mouser Electronics

Authorized Distributor

Click to View Pricing, Inventory, Delivery & Lifecycle Information:

Mountain Switch:

[101-TS6511R1607-EV](#) [101-TS6511R1601-EV](#) [101-TS6511R1606-EV](#) [101-TS6511R1603-EV](#) [101-TS6511R1602-EV](#)