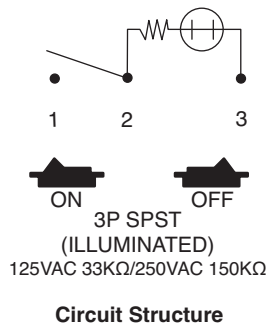
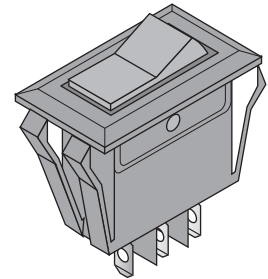
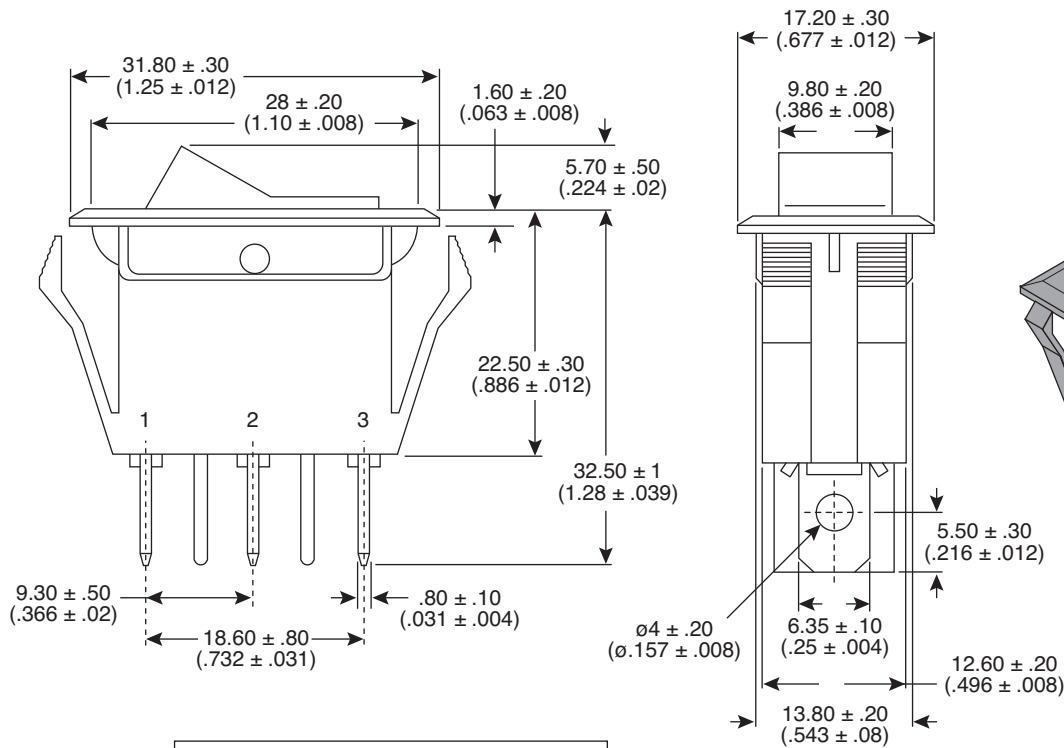


Dimensions: mm (in.)



Mouser Stock No.	Button Color
103-7071-EV	Red
103-7072-EV	Green

Electrical Specifications:

- Rating: 15A / 125VAC, 1/8HP 125 VAC
10A / 250VAC, 1/3HP 250 VAC
- Contact Resistance: 50m Ω max.
- Insulation Resistance: 500 VDC 100M Ω min.
- Dielectric Strength: 1500 VAC for 1 minute

Mechanical Specifications:

- Circuit: 3P SPST On-Off
- Neon Lamp: 110VAC

Note:

- RoHS Compliant

Illuminated Rocker Switches
103-7071-EV, 103-7072-EV



Mouser Electronics

Authorized Distributor

Click to View Pricing, Inventory, Delivery & Lifecycle Information:

[Mountain Switch:](#)

[103-7072-EV](#) [103-7071-EV](#)