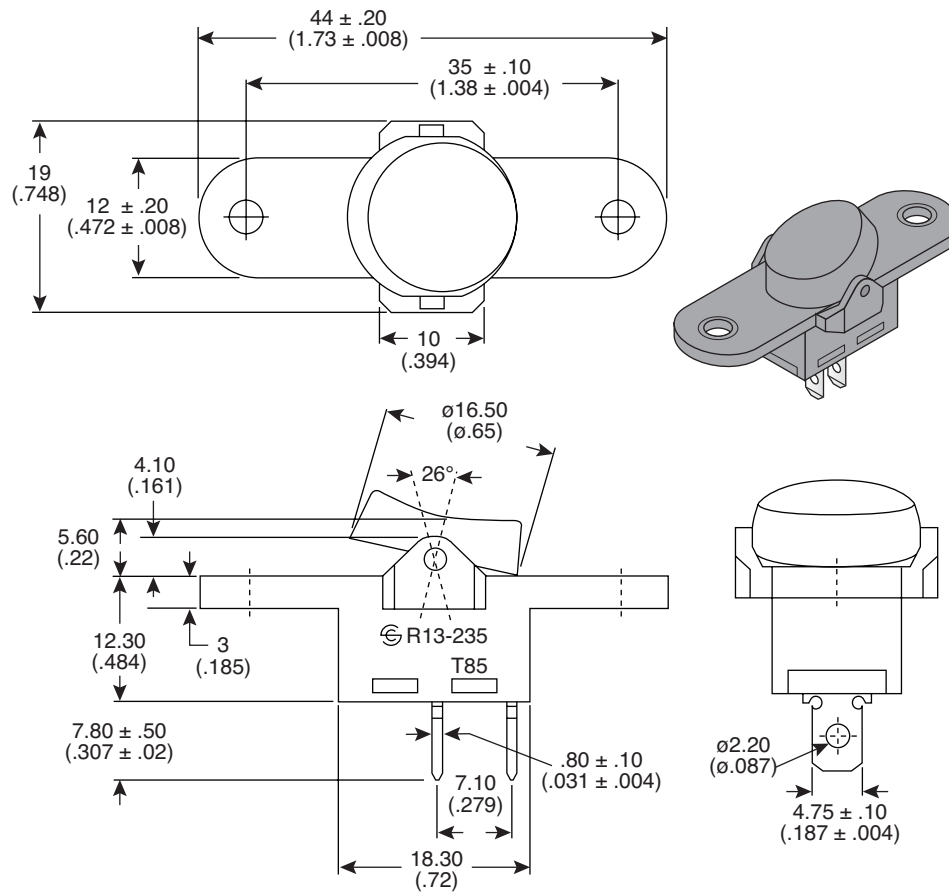


Dimensions: mm (In.)

**Electrical Specifications:**

- Rating: 8A / 125VAC -1 / 3HP
8A / 250VAC -1 / 2HP
- Contact Resistance: 50m Ω max.
- Insulation Resistance: 500 VDC 100M Ω min.
- Dielectric Strength: 1500 VAC 1 minute

Mechanical Specifications:

- Operating Temperature: $-20^\circ\text{C} \sim 85^\circ\text{C}$
- Circuit: 2P SPST On-Off

Note:

- RoHS Compliant

Rocker Switch
103-7061-EV

Mountain
Switch

Mouser Electronics

Authorized Distributor

Click to View Pricing, Inventory, Delivery & Lifecycle Information:

[Mountain Switch:](#)

[103-7061-EV](#)