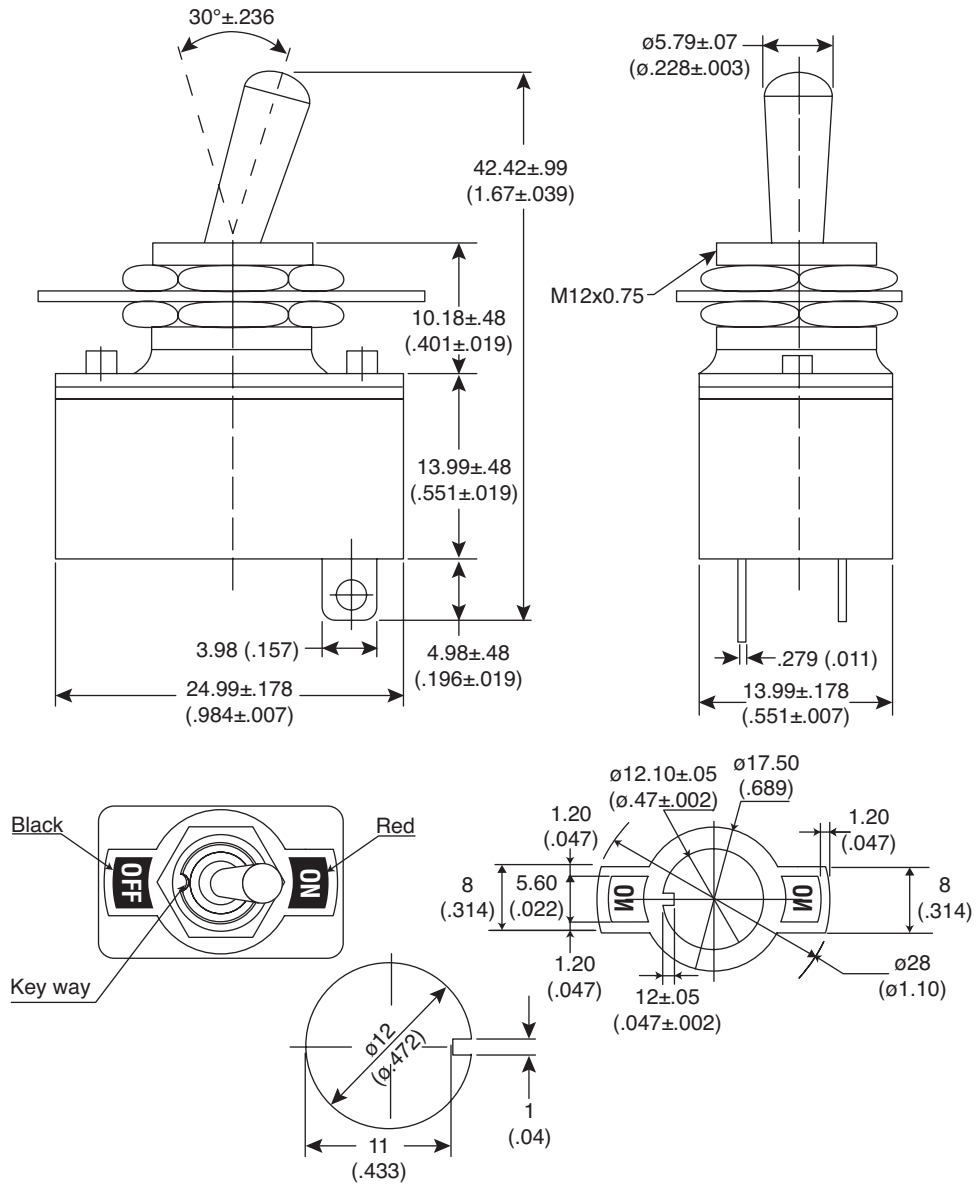


Dimensions: mm (in)



Electrical Specifications:

- Rating: 3A/125V, 1.5A/250VAC
- Contact resistance: 50mΩ max
- Insulation resistance: 500VDC 100mΩ min
- Dielectric strength: 1000VAC 1 minute

Mechanical Specifications:

- Circuit: 2P SPST on-off

Note:

- RoHS Compliant by exemption

Toggle Switch
103-0132-EVX



Mouser Electronics

Authorized Distributor

Click to View Pricing, Inventory, Delivery & Lifecycle Information:

[Mountain Switch:](#)

[103-0132-EVX](#)