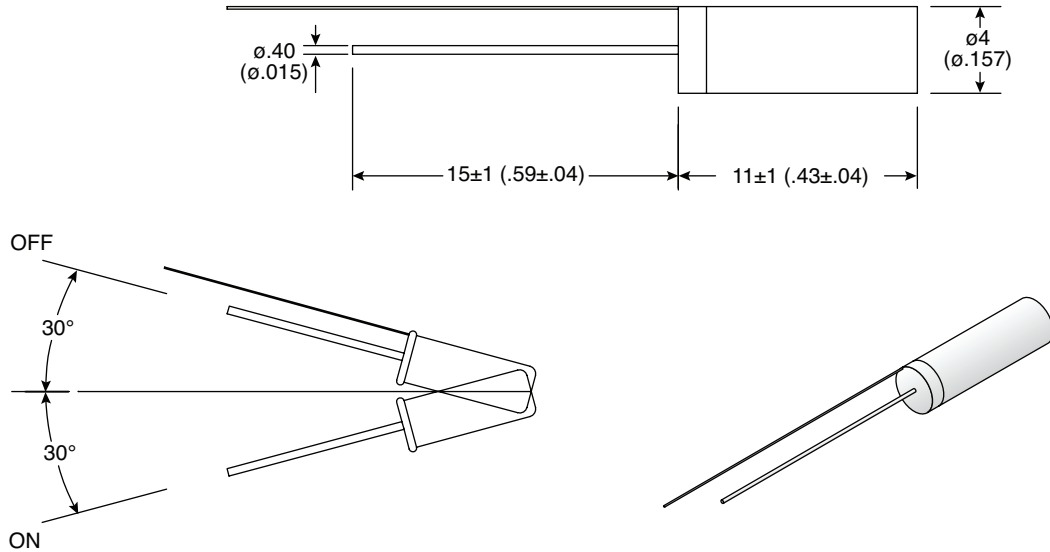


Dimensions: mm (in.)



**Electrical Specifications:**

- Max. Switch Rating: <6mA/24VDC
- Contact Resistance: 2Ω max. (measured at 45° tilt)

**Mechanical Specifications:**

- Differential Angle: 30° max.
- Operating Temperature: 0°~+100°C

**Soldering Process:**

- Temperature: 250°C, 3 seconds  
(Can be soldered by hand only.)

**Materials:**

- Switch Housing: Copper coated with nickel (10μ)
- Terminal: Brass coated with nickel
- Rolling Ball: Steel coated with nickel. Ball weighted 0.25g.

**Note:**

- RoHS Compliant

Rolling-Ball Tilt Switch  
107-2008-EV



# Mouser Electronics

Authorized Distributor

Click to View Pricing, Inventory, Delivery & Lifecycle Information:

[Mountain Switch:](#)

[107-2008-EV](#)