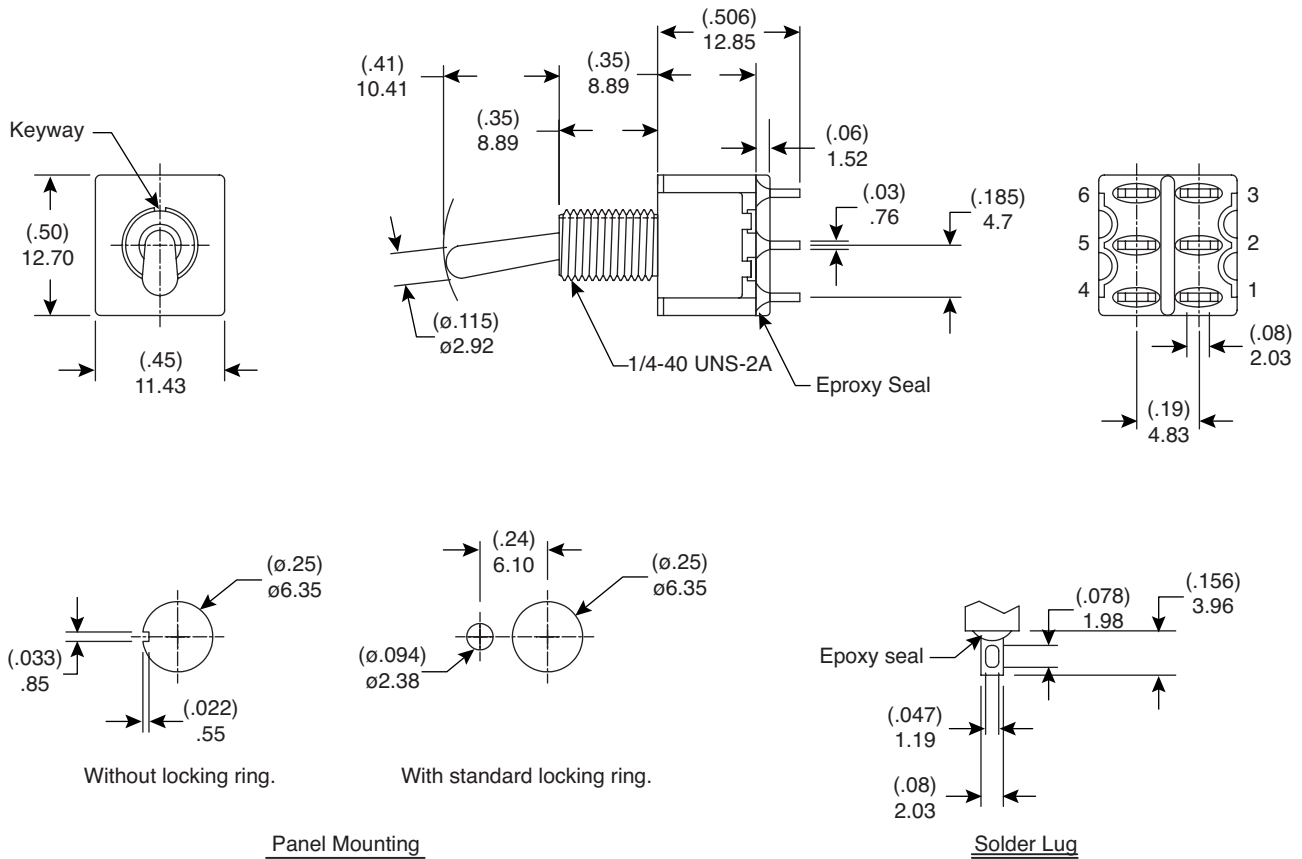
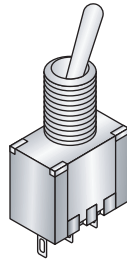


Dimensions: mm (In.)



Electrical Specifications:

- Rating: 2A / 250VAC, 5A / 120 VAC or 28 VDC
- Contact Resistance: 10m Ω max. initial @ 2-4VDC 100mA
- Insulation Resistance: 1,000M Ω min.
- Dielectric Strength: 1,000 V RMS@sea level

Materials:

- Case: Diallyl phthalate (DAP)
- Actuator: Brass, chrome plated
- Bushing: Brass, nickel plated
- Housing: Stainless Steel
- Terminal/Contact: Silver or gold plated

Mechanical Specifications:

- Mechanical Life: 40,000 make-and-break cycles
- Operating Temperature: -30°C to 85°C

Note:

- RoHS compliant by exemption

Mouser Stock No.	Type	Circuit
108-0004-EVX	DPDT	On-Off-(On)
108-0005-EVX	DPDT	(On)-Off-(On)

Miniature Toggle Switches
108-0004-EVX, 108-0005-EVX



Mouser Electronics

Authorized Distributor

Click to View Pricing, Inventory, Delivery & Lifecycle Information:

[Mountain Switch:](#)

[108-0004-EVX](#) [108-0005-EVX](#)