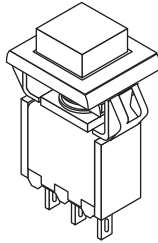
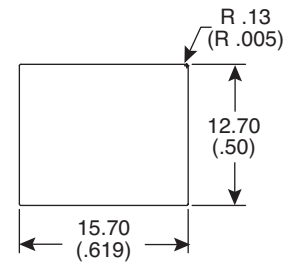
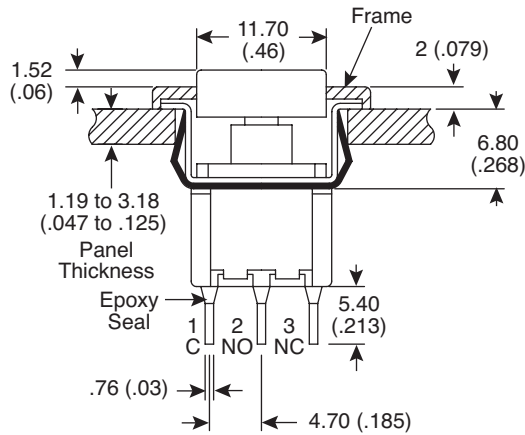
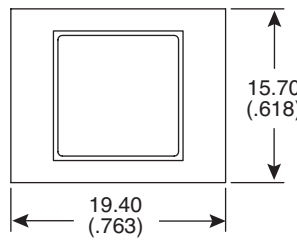


Dimensions: mm (in.)

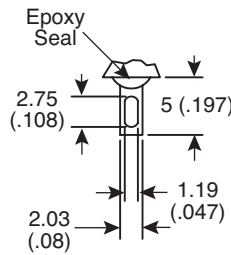


| POS. 1 | POS. 2 |
|--------|--------|
| | |
| ON | MOM |
| 1-3 | 1-2 |
| | |

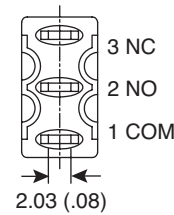
SWITCH FUNCTION



PANEL MOUNTING



SOLDER LUG



Mechanical Specifications:

- Mechanical Life: 50,000 make-and-break cycles
- Operating Temperature: -30°C to 85°C

Electrical Specifications:

- Rating: 1A/250VAC, 3A/120VAC or 28 VDC
- Contact Resistance: 20mΩ max. initial @ 2-4VDC 100mA
- Insulation Resistance: 1,000MΩ min.
- Dielectric Strength: 1,000 V RMS@ sea level

Materials:

- Case: Diallyl phthalate (DAP)
- Plunger: Glass filled nylon or glass filled polyester
- Bushing: Brass, nickel plated
- Housing: Stainless steel
- Contact: Silver plated

Note:

- RoHS compliant by exemption

Snap-Acting Pushbutton Switch

107-3007-EVX



Mouser Electronics

Authorized Distributor

Click to View Pricing, Inventory, Delivery & Lifecycle Information:

[Mountain Switch:](#)

[107-3007-EVX](#)