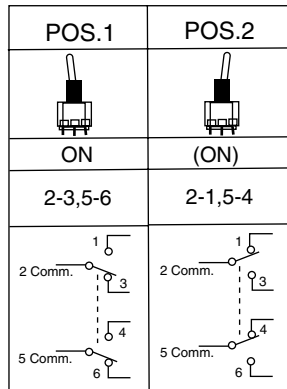
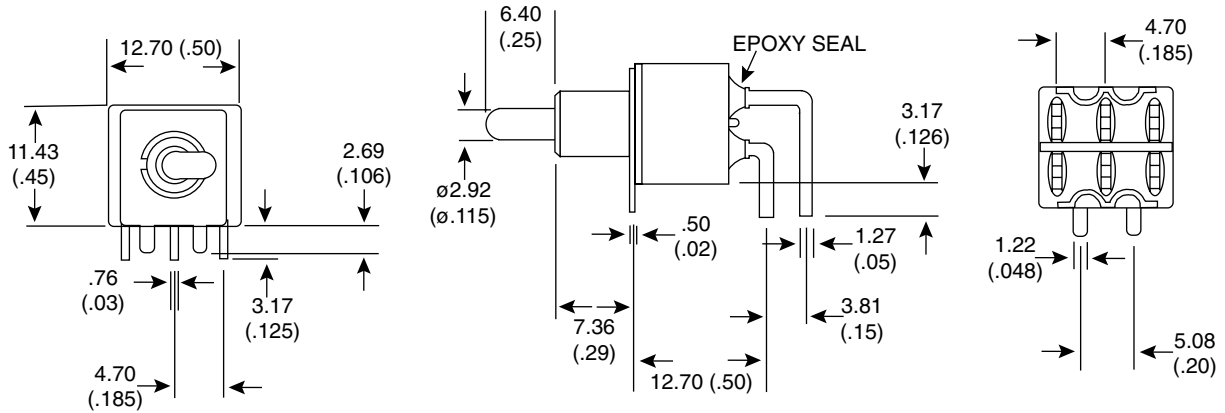
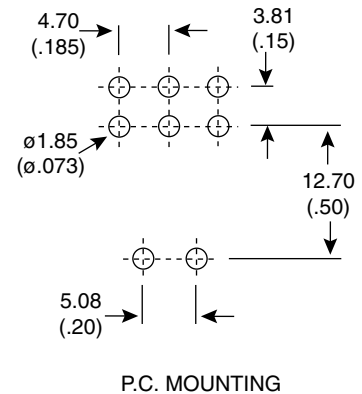
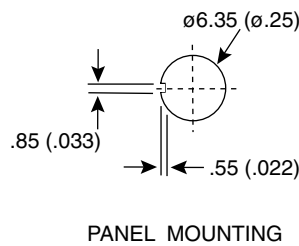


Dimensions: mm (in.)



SWITCH FUNCTION



**Mechanical Specifications:**

- Operating Temperature: -30° C to +85° C.

**Electrical Specifications:**

- Contact Resistance: 10m $\Omega$  max. initial @ 2-4VDC 100mA
- Insulation Resistance: 1,000M $\Omega$  min.
- Rating: 2 A / 250 VAC  
5 A / 120 VAC or 28 VDC
- Dielectric Strength: 1,000 V RMS@ sea level.

**Materials:**

- Case: Diallyl phthalate (DAP)
- Acuator: Brass, chrome plated.
- Bushing: Brass, nickel plated.
- Housing: Stainless steel.
- Terminal/Contact: Silver plated.
- Switch Support: Brass, Tin plated.

**Note:**

- RoHS compliant by exemption

Toggle Switch  
108-1MD2T2B4M6QE-EVX



# Mouser Electronics

Authorized Distributor

Click to View Pricing, Inventory, Delivery & Lifecycle Information:

[Mountain Switch:](#)

[108-1MD2T2B4M6QE-EVX](#)