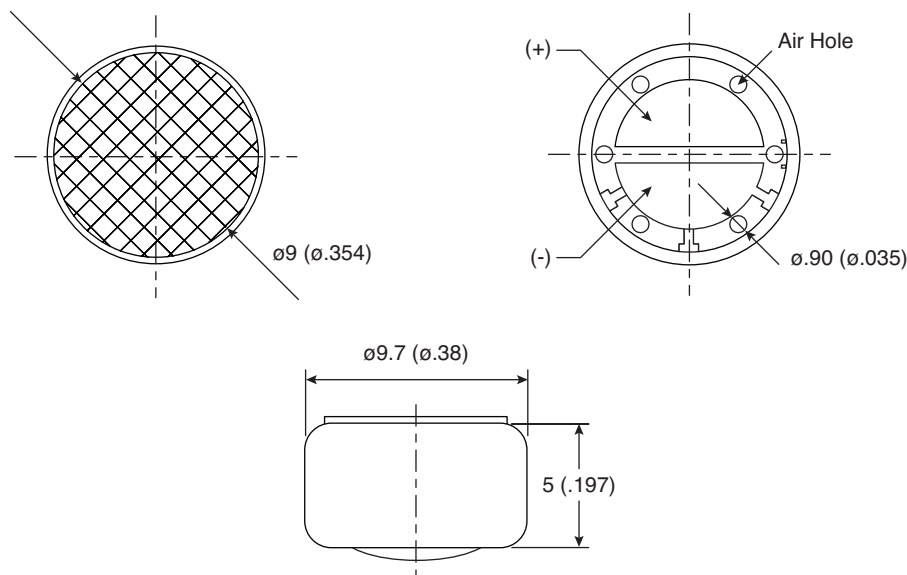


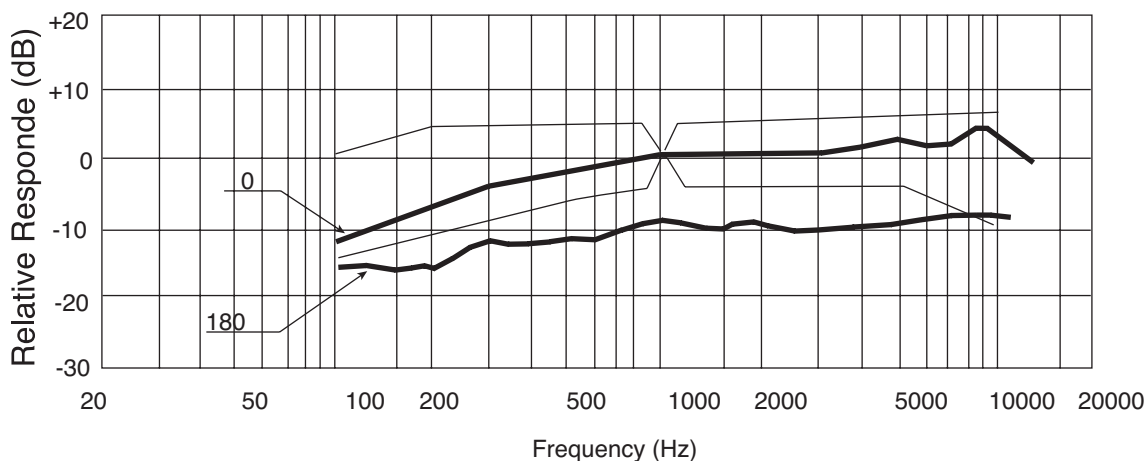
Part Number:

254-ECM97-RO

Electret Condenser Microphone



Frequency Response Curve



KT-400497

Electrical Specifications:

- Sensitivity: -47 ± 3 dB
- Standard Operation Voltage: 1.5V
- Output Impedance: 680 Ω (max.)
- Frequency Range: 100-20K Hz
- Current Consumption: 0.5mA (max.)
- S/N Ratio: ≥ 55 dB

Mechanical Specifications:

- Operating temperature: $-20^{\circ}\text{C} \sim +60^{\circ}\text{C}$
- Storage temperature: $-30^{\circ}\text{C} \sim +70^{\circ}\text{C}$

Note:

- RoHS Compliant

Mouser Electronics

Authorized Distributor

Click to View Pricing, Inventory, Delivery & Lifecycle Information:

[Kobitone:](#)

[254-ECM97-RO](#)