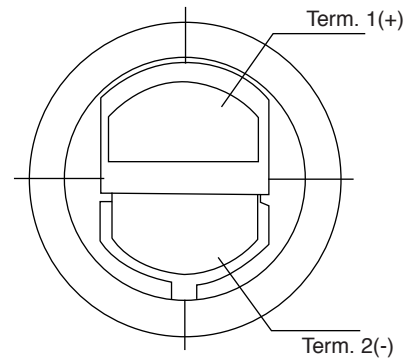
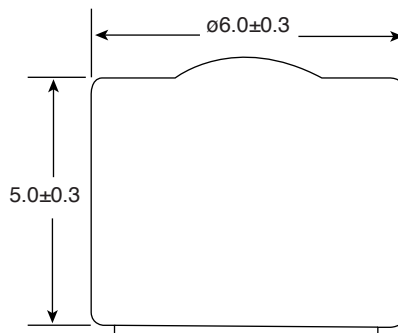
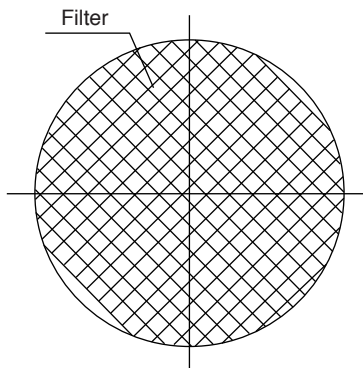


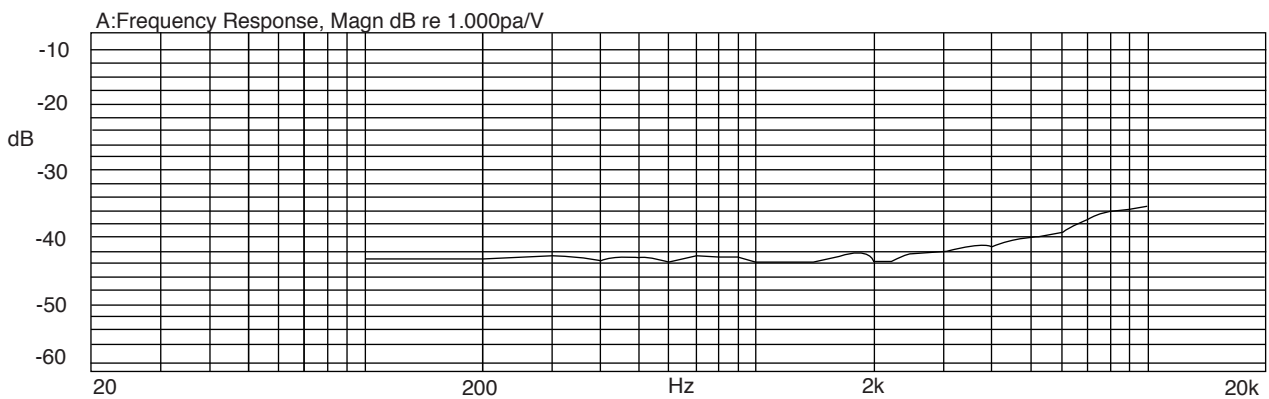
Part Number:

254-ECM644-RO



Frequency Response Curve

x:1.0000kHz Y:-43.19dB ZA:Live Curve SSR Fund.



Microphone

KT-400332

Electrical Specifications:

- Sensitivity: -44 ± 3 dB
- Output Impedance: 2.2K Ω (Max)
- Frequency Range: 100-10KHz
- Standard Operation Voltage: 2.0V
- Current Consumption: 0.5mA (Max)
- S/N Ratio: ≥ 58 dB

Mechanical Specifications:

- Operating Temperature: -20°C to $+60^{\circ}\text{C}$
- Storage Temperature: -25°C to $+70^{\circ}\text{C}$

Note:

- RoHS Compliant

Mouser Electronics

Authorized Distributor

Click to View Pricing, Inventory, Delivery & Lifecycle Information:

[Kobitone:](#)

[254-ECM644-RO](#)