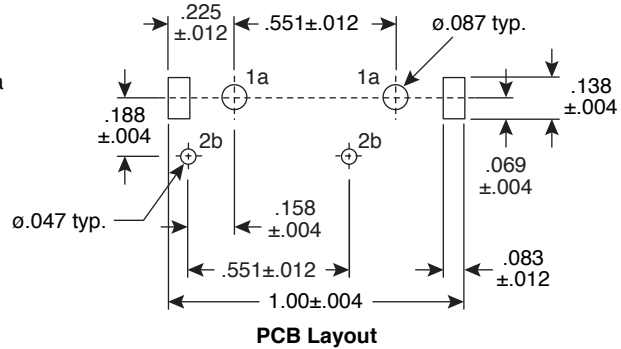
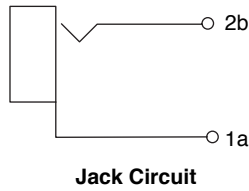
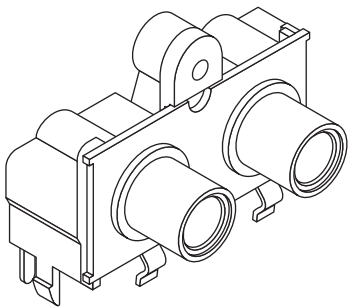
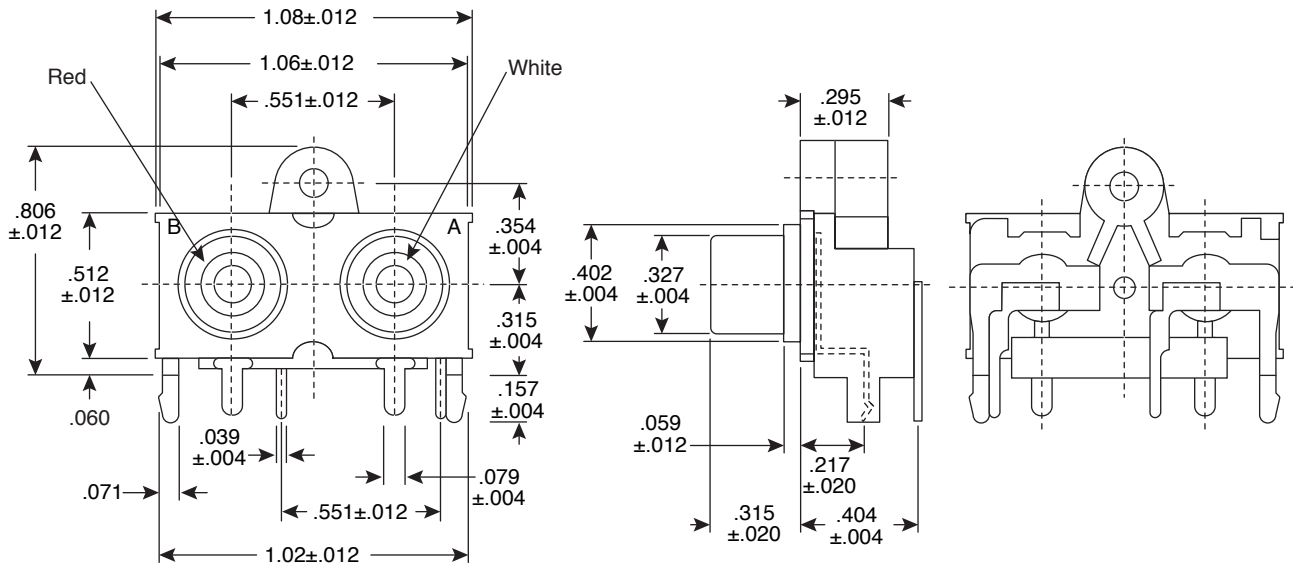


# PCB Dual Phono Jacks

156-4218-E, 156-4220-E



PCB Dual Phono Jacks



Dimensions: In.

MOUSER STOCK NO.	Finish
161-4218-E	Nickel Plated
161-4220-E	Gold Plated

SPECIFICATIONS	
Type:	PCB Dual Phono Horizontal Mount
Rated Voltage:	DC/AC 34V
Rated Current:	DC/AC 2A
Temperature Range:	-25° ~ +70°C
Humidity Range:	85% RH max.
Insulator, Base, Cover:	ABS
Earth Terminal:	Nickel Plated Brass
Terminals:	Tin Plated Brass
Insulator Color:	Red / White

Date Last Revised: 11-17-20

Available from Mouser Electronics  
1-800-346-6873  
www.mouser.com

KC-301499

156-4218-E, 156-4220-E

# Mouser Electronics

Authorized Distributor

Click to View Pricing, Inventory, Delivery & Lifecycle Information:

[Kobiconn:](#)

[161-4218-E](#) [161-4220-E](#)