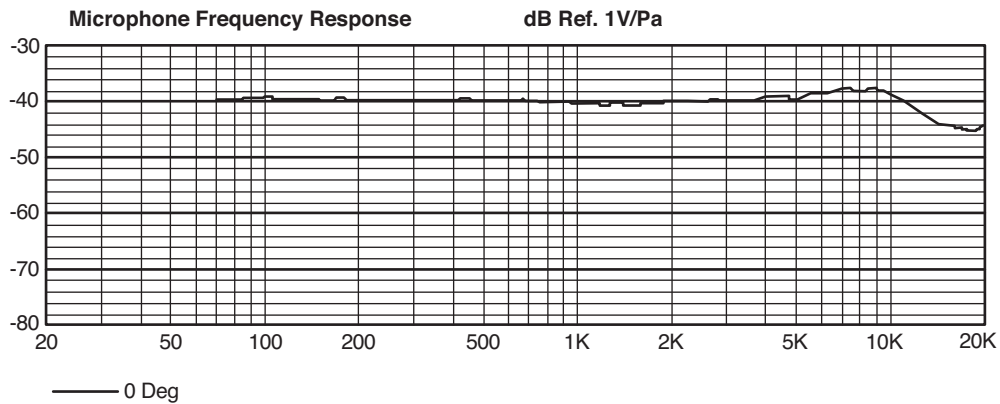
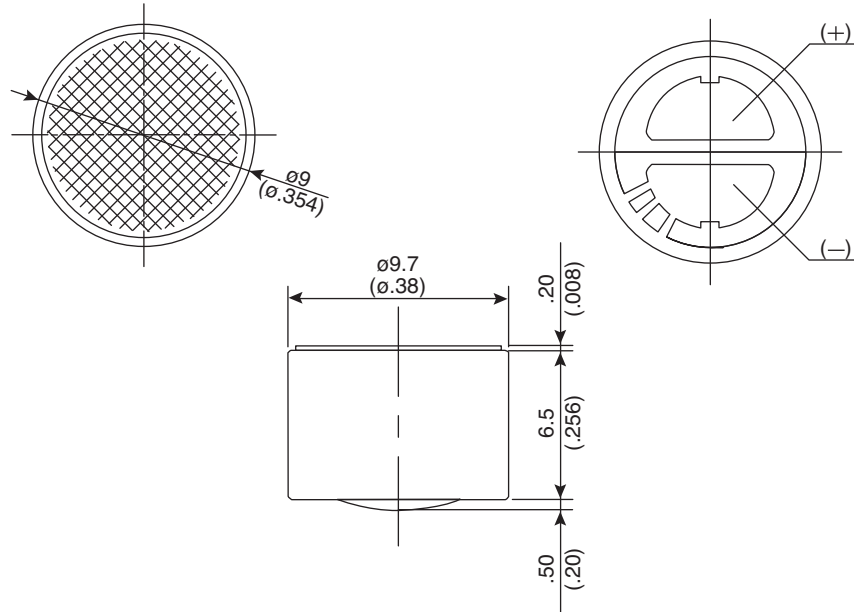


Part Number:

254-ECM9741-RO

Electret Condenser Microphone



Electrical Specifications:

- Sensitivity: -40 ± 2 dB
- Output Impedance: $2.2K\Omega$ (Max)
- Frequency Range: 70 - 20KHz
- Standard Operation Voltage: 4.5V
- Current Consumption: 0.5mA (Max)
- S/N Ratio: ≥ 58 dB

Mechanical Specifications:

- Operating Temperature: $-20 \sim +60^\circ\text{C}$
- Storage Temperature: $-30 \sim +70^\circ\text{C}$

KT-400504

Note:

- RoHS Compliant

Mouser Electronics

Authorized Distributor

Click to View Pricing, Inventory, Delivery & Lifecycle Information:

[Kobitone:](#)

[254-ECM9741-RO](#)