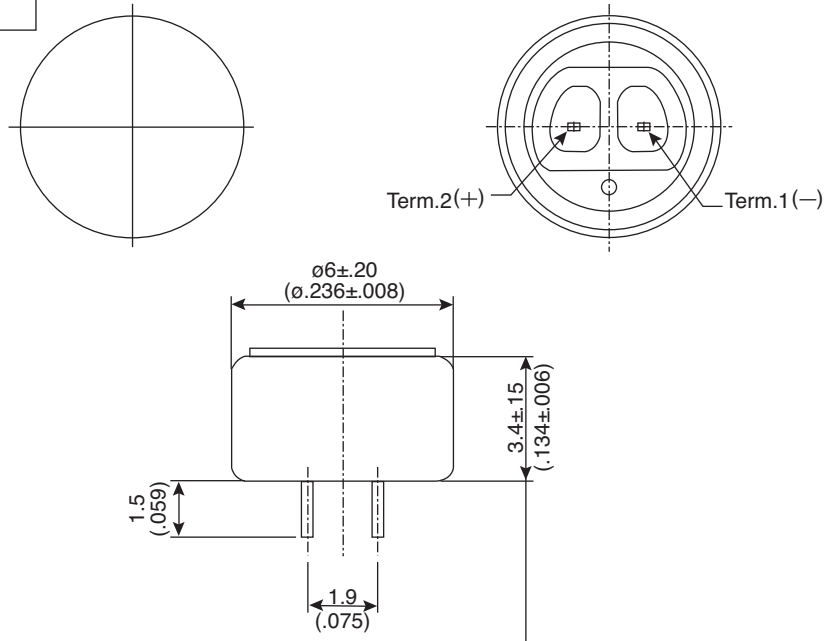


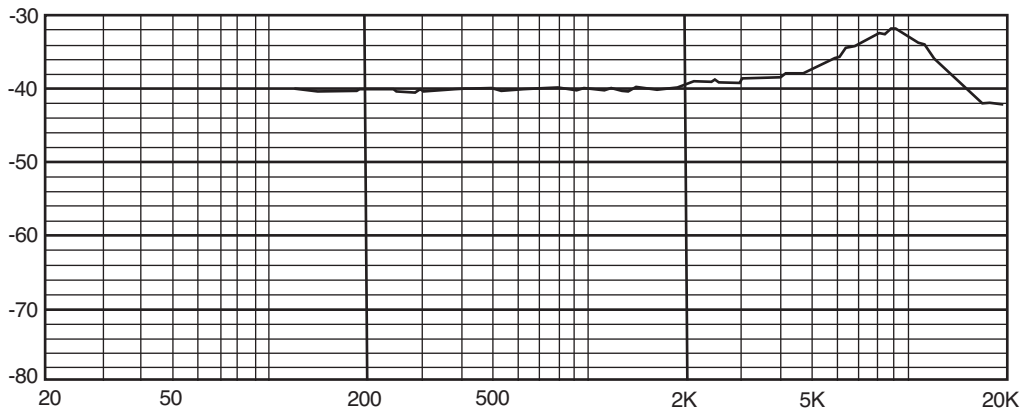
Part Number:

254-ECM640-RO

Electret Condenser Microphone



Microphone Frequency Response



Electrical Specifications:

- Sensitivity: -40 ± 3 dB
- Output Impedance: $2.2K\Omega$ (Max)
- Frequency Range: 70-20,000Hz
- Standard Operation Voltage: 2.0V
- Current Consumption: 0.5mA (Max)
- S/N Ratio: > 58 dB

Mechanical Specifications:

- Operating Temperature: $-25 \sim +70^\circ\text{C}$
- Storage Temperature: $-40 \sim +70^\circ\text{C}$

KT-400499

Note:

- RoHS Compliant

Mouser Electronics

Authorized Distributor

Click to View Pricing, Inventory, Delivery & Lifecycle Information:

[Kobitone:](#)

[254-ECM640-RO](#)