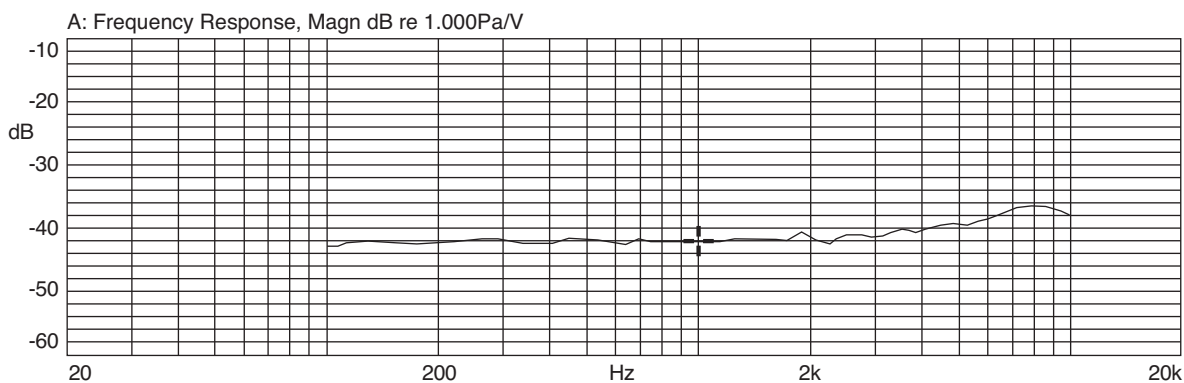
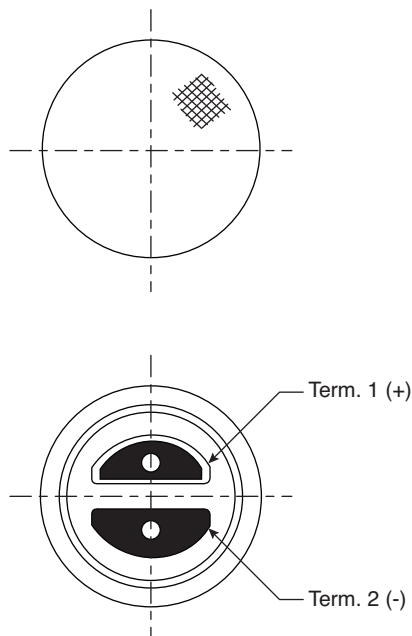
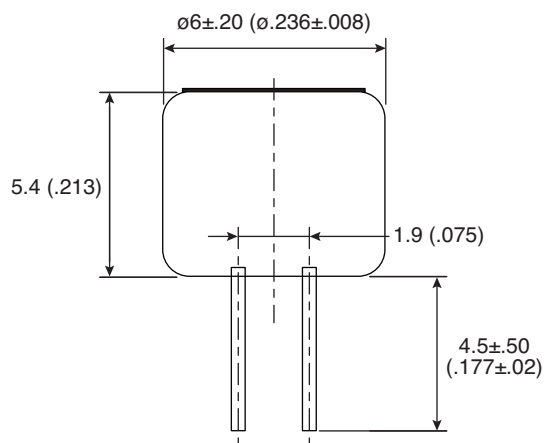


Part Number:

254-ECM6443-RO

Electret Condenser Microphone



KT-400498

Electrical Specifications:

- Sensitivity: -44 ± 3 dB
- Output Impedance: $2.2K\Omega$ (max.)
- Frequency Range: 70-18,000Hz
- Standard Operation Voltage: 2.0V
- Current Consumption: 0.5mA (max.)
- S/N Ratio: >58 dB

Mechanical Specifications:

- Operating temperature: $-25^{\circ}\text{C} \sim +70^{\circ}\text{C}$
- Storage temperature: $-40^{\circ}\text{C} \sim +70^{\circ}\text{C}$

Note:

- RoHS Compliant

Mouser Electronics

Authorized Distributor

Click to View Pricing, Inventory, Delivery & Lifecycle Information:

[Kobitone:](#)

[254-ECM6443-RO](#)