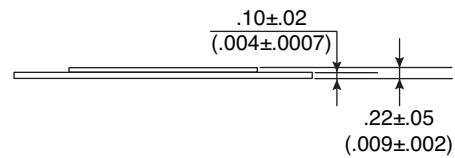
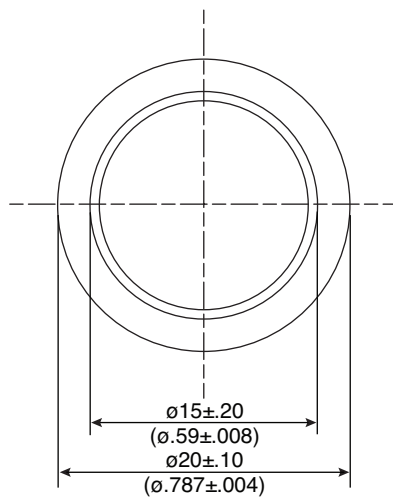


Part Number:

254-PB200-ROX

Piezoelectric Buzzer Element



KT-400455

Electrical Specifications:

- Input Voltage: 30 Vp-p (max.)
- Resonant Frequency: 4.0K Hz \pm 0.5
- Resonant Impedance: 300 Ω (max.)
- Capacity: 26,000pf \pm 30%

Note:

- RoHS Compliant by exemption

Mechanical Specifications:

- Type: External drive
- Operating Temperature: -20°C ~ +70°C

Mouser Electronics

Authorized Distributor

Click to View Pricing, Inventory, Delivery & Lifecycle Information:

[Kobitone:](#)

[254-PB200-ROX](#)