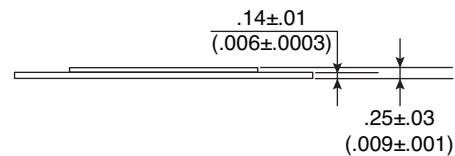
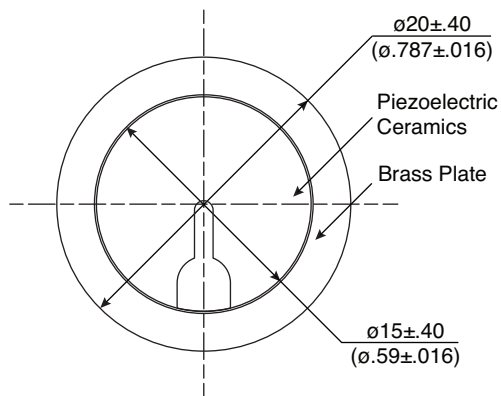


Part Number:

254-PB204-ROX

Dimensions: mm (in.)

Piezoelectric Buzzer Element



KT-400452

Electrical Specifications:

- Resonant Frequency: 4.4K Hz \pm 0.5
- Resonant Impedance: 300 Ω (max.)
- Capacity: 20,000pf \pm 30%
- Input Voltage: 30 Vp-p (max.)

Note:

- RoHS Compliant by exemption

Mechanical Specifications:

- Type: External drive
- Operating Temperature: -20°C ~ +60°C
- Storage Temperature: -20°C ~ +70°C

Mouser Electronics

Authorized Distributor

Click to View Pricing, Inventory, Delivery & Lifecycle Information:

[Kobitone:](#)

[254-PB204-ROX](#)