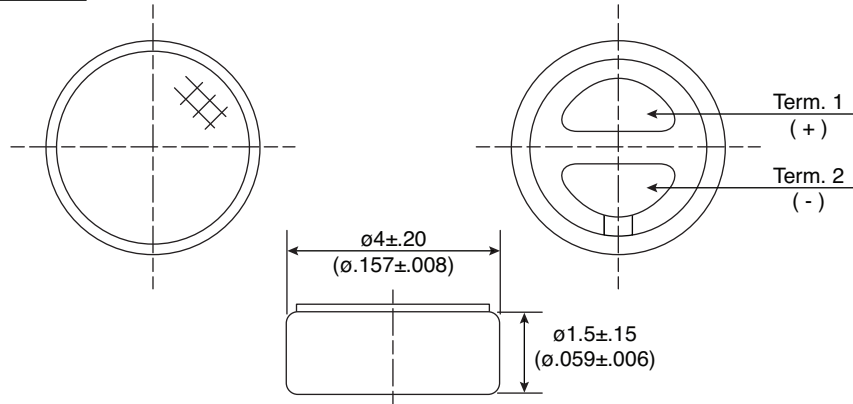
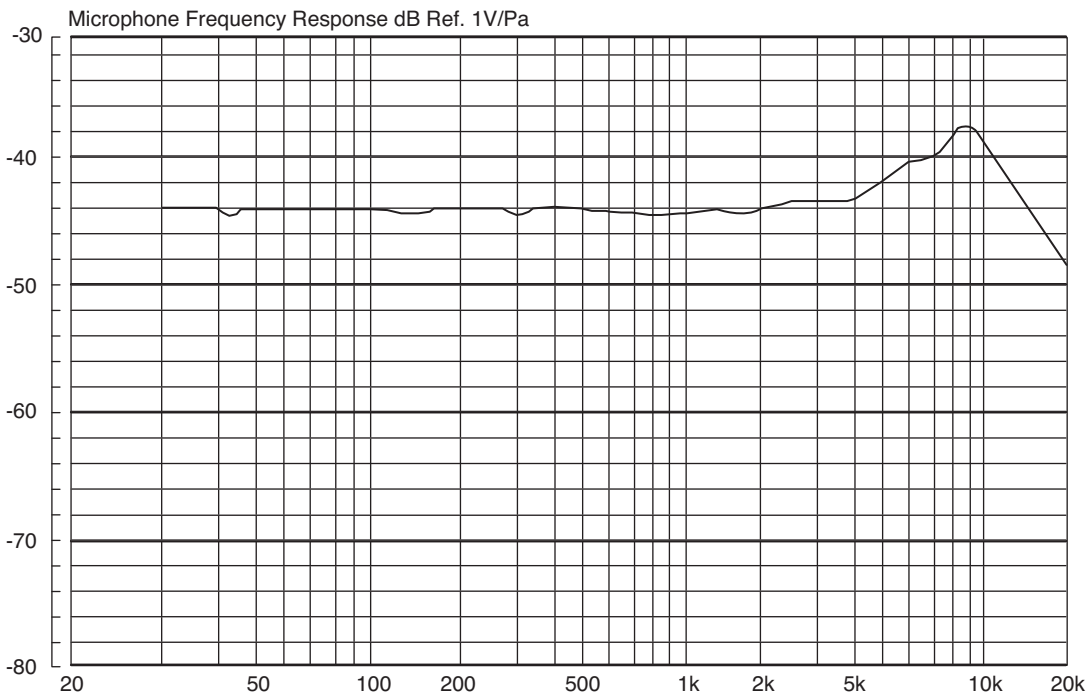


Part Number:

254-ECM446-RO



Electret Condenser Microphone



KT-400422

Electrical Specifications:

- Sensitivity: -46 ± 3 dB
- Output Impedance: 2.2K Ω (max.)
- Frequency Range: 70-20K Hz
- Standard Operation Voltage: 2.0V
- Current Consumption: 0.5mA (max.)
- S/N Ratio: > 56dB

Mechanical Specifications:

- Operating Temperature: $-25^{\circ}\text{C} \sim +70^{\circ}\text{C}$
- Storage Temperature: $-40^{\circ}\text{C} \sim +70^{\circ}\text{C}$

Note:

- RoHS Compliant

Mouser Electronics

Authorized Distributor

Click to View Pricing, Inventory, Delivery & Lifecycle Information:

[Kobitone:](#)

[254-ECM446-RO](#)