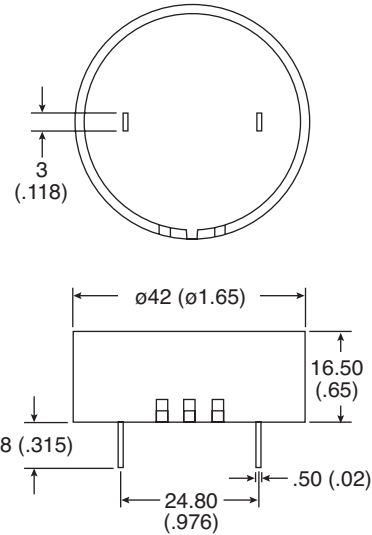
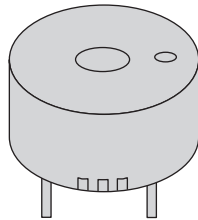
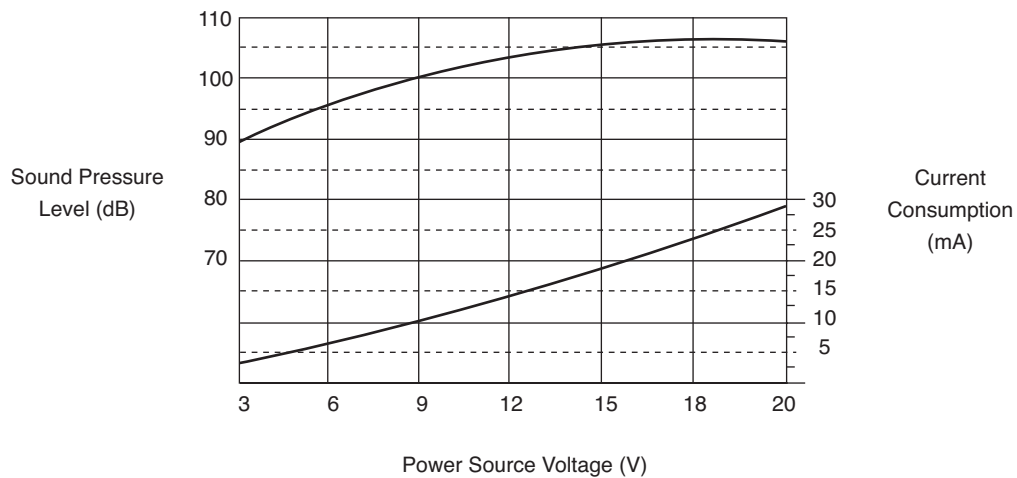


Part Number:

254-PB521-ROX



**Piezoelectric Buzzer
(Self-Drive)**



KT-400413

Mechanical Specifications:

- Operating Temperature: -20°C to +70°C
- Storage Temperature: -40°C to +85°C

Electrical Specifications:

- Sound Pressure Level: 100dB min. / 30cm / 9VDC
- Oscillating Frequency: 2.8±0.5KHz
- Current Consumption: 12mA max. / 9VDC
- Operating Voltage: 3 to 20VDC

Materials:

- Case: PC
- Lead Pin: Phosphor Bronze
- Weight: 13.8 gms
- Tone: Continuous

Note:

- RoHS compliant by exemption

Mouser Electronics

Authorized Distributor

Click to View Pricing, Inventory, Delivery & Lifecycle Information:

[Kobitone:](#)

[254-PB521-ROX](#)