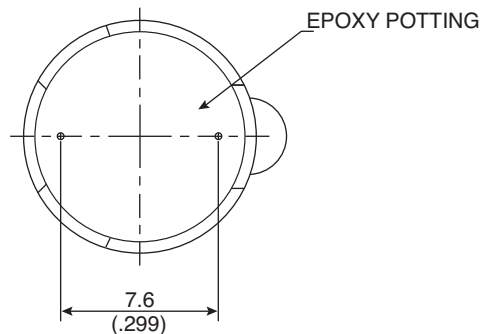
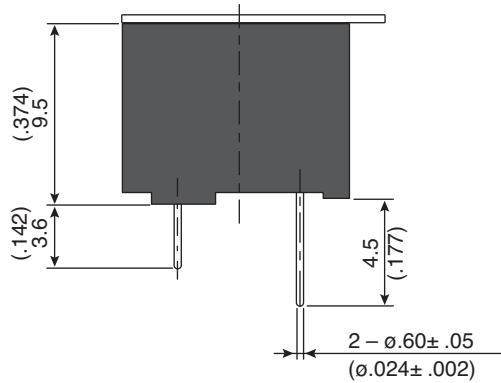
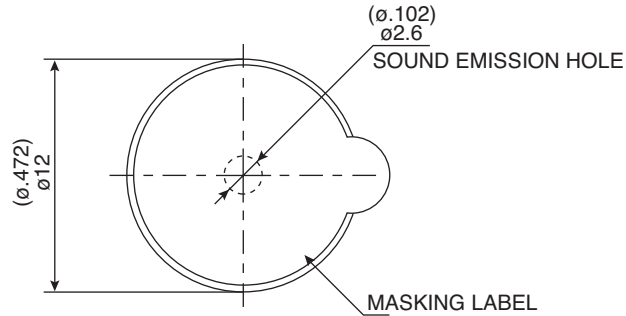


Part Number:

254-EMB125-RO

Magnetic Buzzer



KT-400395

Electrical Specifications:

- Rated Voltage: 5VDC
- Operating Voltage: 4 ~ 7VDC
- Consumption Current: Mean 35mA(Max) Peak 105mA(Min)
- Sound Output: 85dBA(Min)
- Basic Frequency: 2300Hz \pm 300

Mechanical Specifications:

- Operating Temperature: -30°C ~ +75°C
- Storage Temperature: -40°C ~ +85°C

Note:

- RoHS Compliant

Mouser Electronics

Authorized Distributor

Click to View Pricing, Inventory, Delivery & Lifecycle Information:

[Kobitone:](#)

[254-EMB125-RO](#)