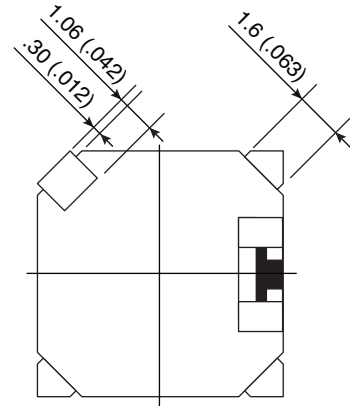
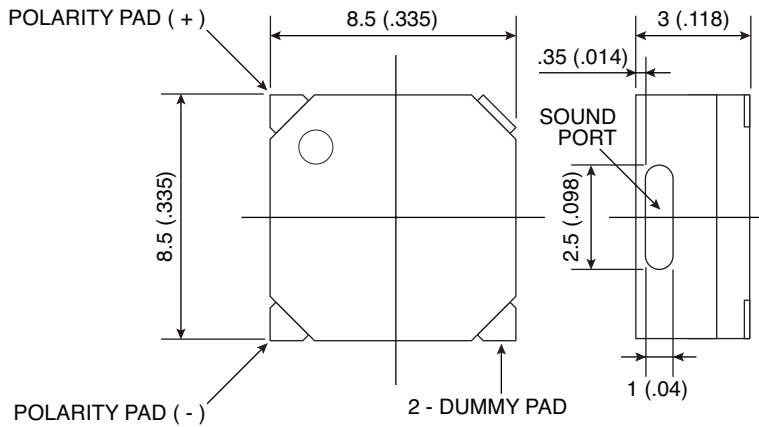
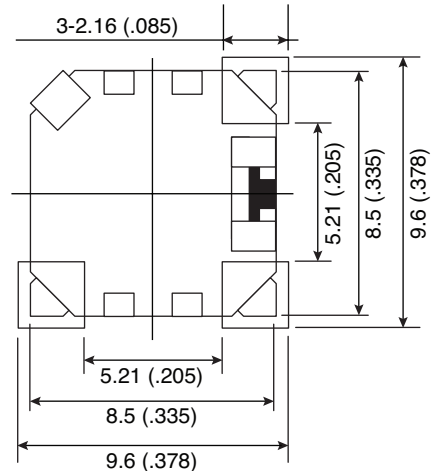


Part Number:

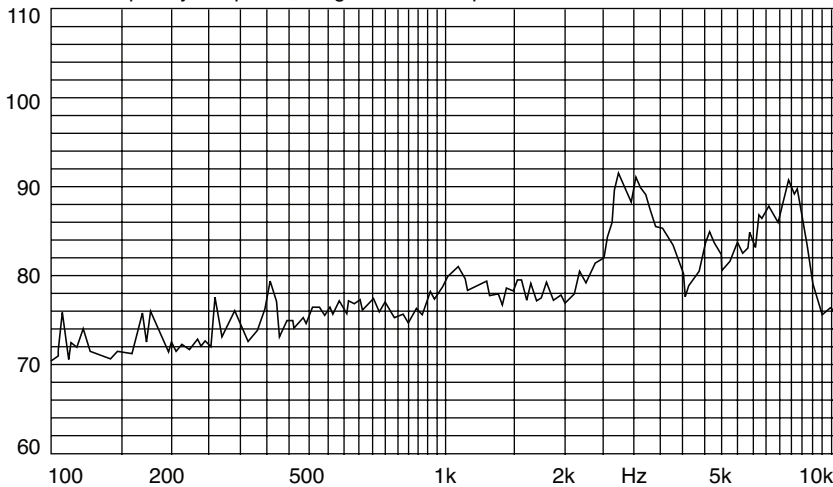
254-EMB84Q-RO



P.C.B. LAYOUT



A: Frequency Response, Magn dB re 20.00μPA



Magnetic Buzzer

KT-400385

Electrical Specifications:

- Rated Voltage: 3.6 Vo-p
- Operating Voltage: 2.5~4.5 Vo-p
- Consumption Current: Mean 100mA (max)
Peak 300mA (max)
- Sound Output: 87 dBa (min)
- Rated Frequency: 2730Hz ± 200
- Coil Resistance: 16Ω ± 3

Mechanical Specifications:

- Operating Temperature: -30°C to + 75°C
- Storage Temperature: -40°C to + 85°C

Note:

- RoHS Compliant

Mouser Electronics

Authorized Distributor

Click to View Pricing, Inventory, Delivery & Lifecycle Information:

[Kobitone:](#)

[254-EMB84Q-RO](#)