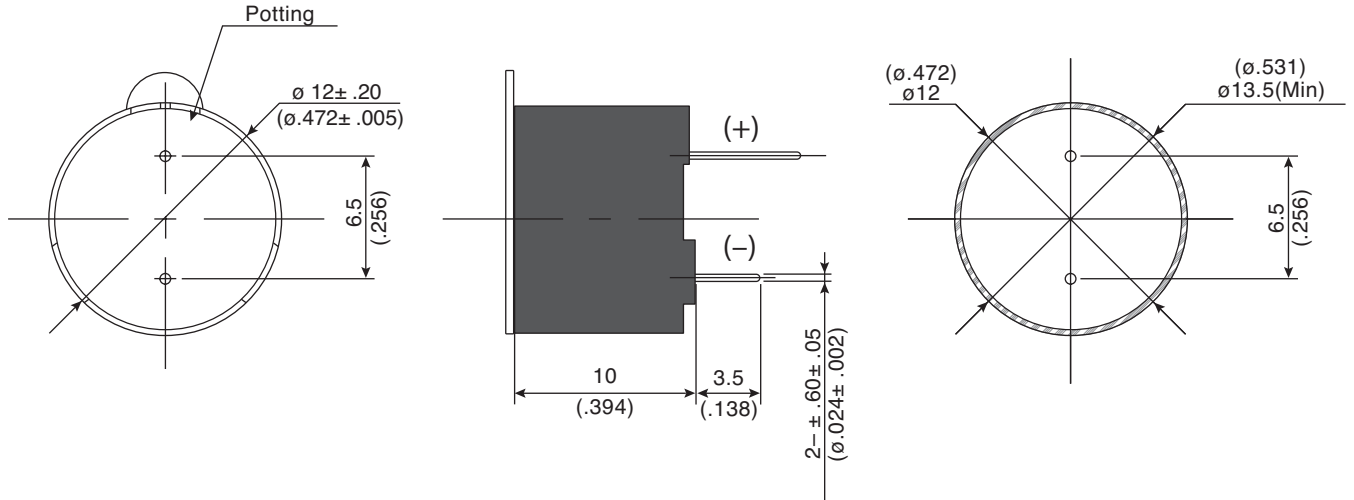


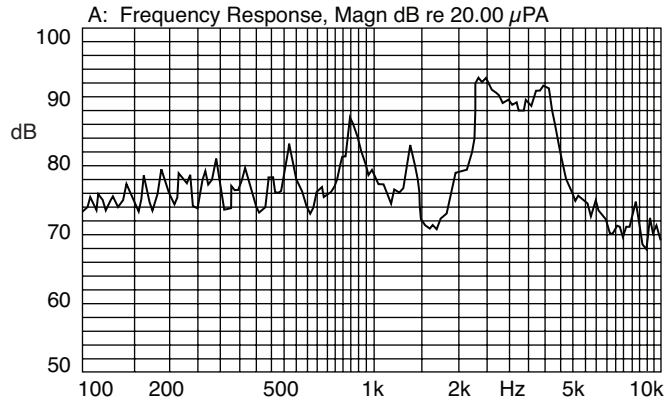
Part Number:

254-EMB15-RO

Magnetic Buzzer



Frequency Response Curve:



KT-400377

Electrical Specifications:

- Rated Voltage: 5Vo-p
- Operating Voltage: 4.0 ~ 8.0Vo-p
- Consumption Current: Mean 50mA(Max) Peak 150mA(Max)
- Direct Current Resistance: $40\Omega \pm 6$
- Sound Output: 85dBA(Min)
- Rated Frequency: 2400Hz

Mechanical Specifications:

- Operating Temperature: $-30^{\circ}\text{C} \sim +75^{\circ}\text{C}$
- Storage Temperature: $-40^{\circ}\text{C} \sim +85^{\circ}\text{C}$

Note:

- RoHS Compliant

Mouser Electronics

Authorized Distributor

Click to View Pricing, Inventory, Delivery & Lifecycle Information:

[Kobitone:](#)

[254-EMB15-RO](#)