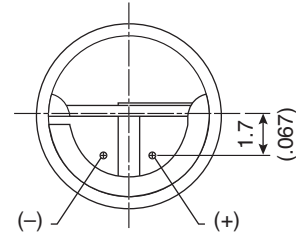
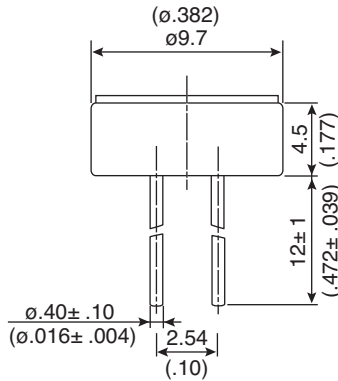
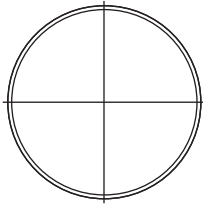
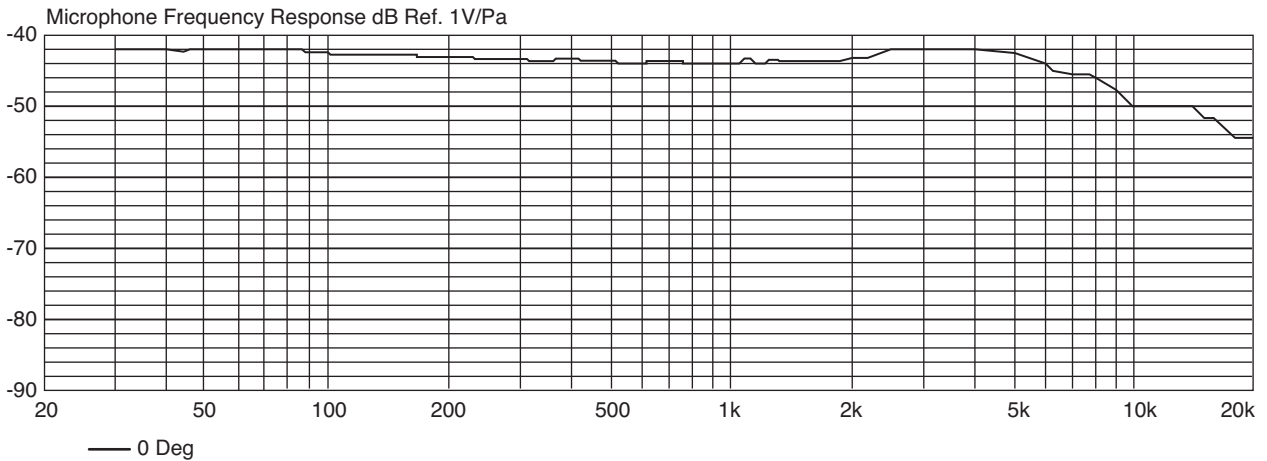


**Part Number:**

254-ECM94-RO



**Frequency Response Curve**



**Microphone**

KT-400339

**Electrical Specifications:**

- Sensitivity: -44±3dB (0dB=1V/Pa,1KHz)
- Output Impedance: 2.2KΩ(Max)
- Frequency Range: 70-20KHz
- Standard Operation Voltage: 3.0V
- Current Consumption: 0.5mA(Max)
- S/N Ratio: > 58dB

**Mechanical Specifications:**

- Operating temperature: -20 ~ +60°C
- Storage temperature: -30 ~ +70°C

**Note:**

- RoHS Compliant

# Mouser Electronics

Authorized Distributor

Click to View Pricing, Inventory, Delivery & Lifecycle Information:

[Kobitone:](#)

[254-ECM94-RO](#)